



2022 PRODUCT CATALOGUE



ABOUT DBA SILENCING

DBA Silencing is a private company headquartered in Port Alberni, British Columbia. It is a family business that was built up over several decades by Archie and Shirley Cardinal, and then run for a number of years by their daughter Tina. The firm's current management team includes Cydney Pedersen, Archie and Shirley's granddaughter, who represents a third generation at the helm.

DBA provides exhaust, air intake, and coolant components for the following industries: mining, logging, and marine. Many of the parts we offer are standard items, but we also solve problems for our customers by developing and manufacturing customized solutions.

CONTACT INFORMATION:

PHONE

Toll Free: 1-800-661-5886

Phone: 250-723-2288

Fax: 250-723-9251

EMAIL

info@dbasilencing.ca

ADDRESS

4917 Burde St.
Port Alberni, BC V9Y 3J5
Canada

HOURS

Monday - Friday: 8AM - 4PM

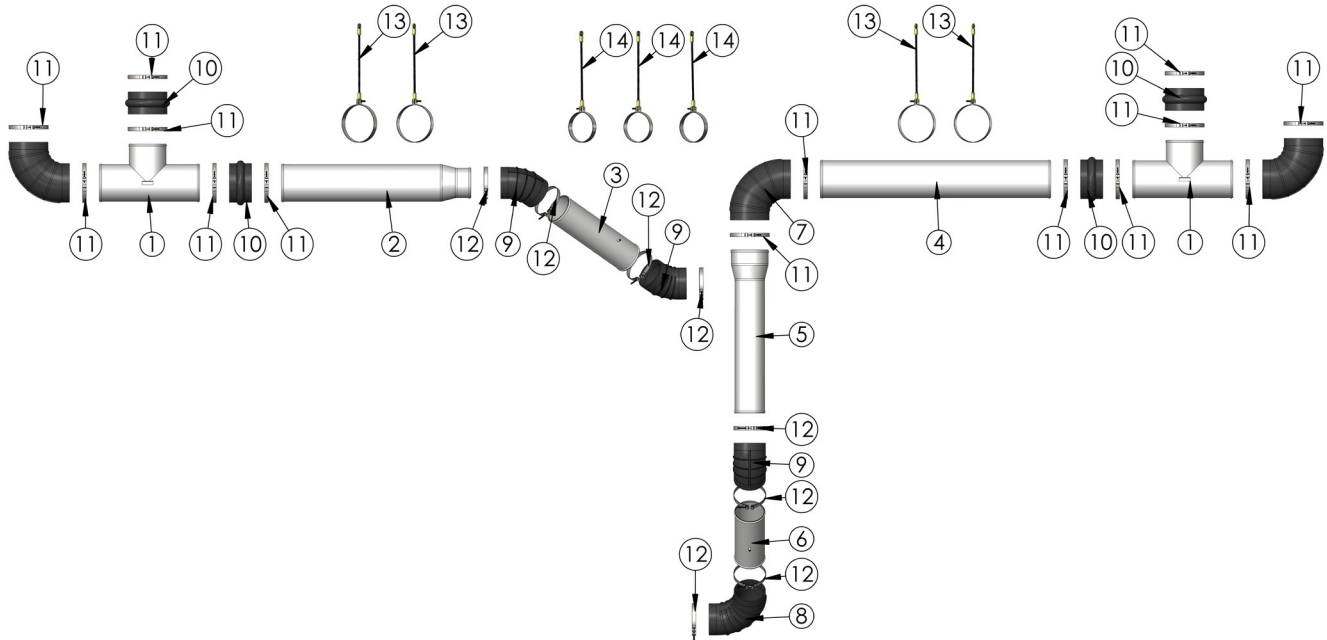
TABLE OF CONTENTS

AIR INTAKE KITS	4
KOMATSU 830E	4
KOMATSU 930E	10
COOLANT SYSTEMS	15
FOR CUMMINS & DETROIT ENGINES	15
EXHAUST KITS	23
CATERPILLAR	23
KOMATSU 630 / 170D	25
KOMATSU 830E	27
KOMATSU 930E	36
MUFFLERS	46
EXHAUST ACCESSORIES	54
EXHAUST ELBOWS	55
EXHAUST REDUCERS	58
EXHAUST STACKS	59
EXHAUST TUBING	62
V-BAND CONNECTOR KITS	63
BELLOWS	64
CLAMPS	67
RUBBER HUMP HOSE & ELBOWS	70
MISC.	73

AIR INTAKE KITS

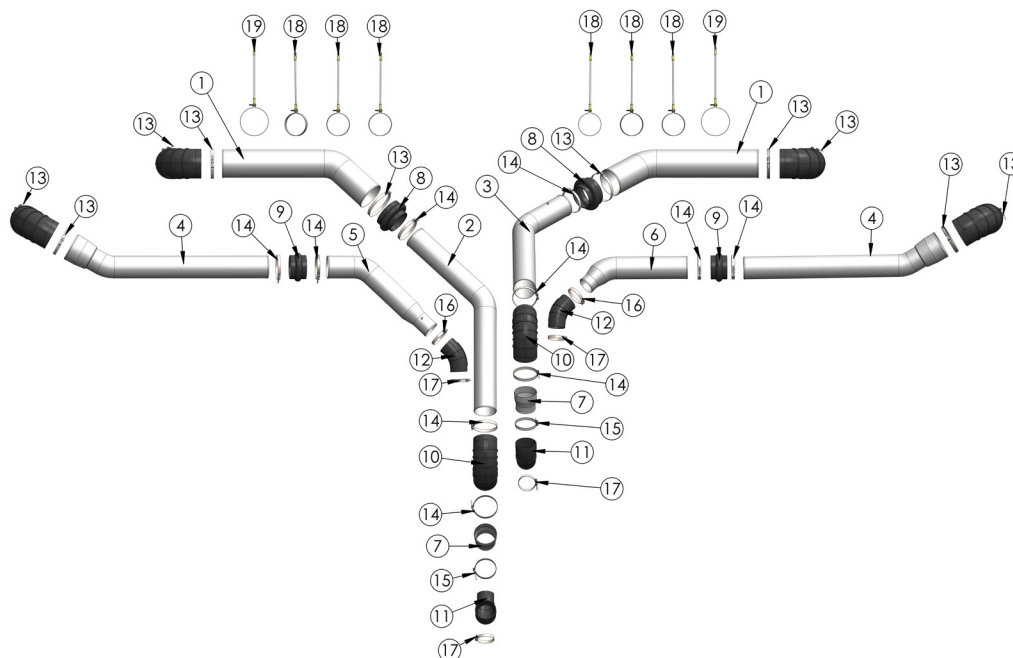
KOMATSU 830E

KOMATSU 830E CUMMINS K2000 AIR INTAKE SYSTEM



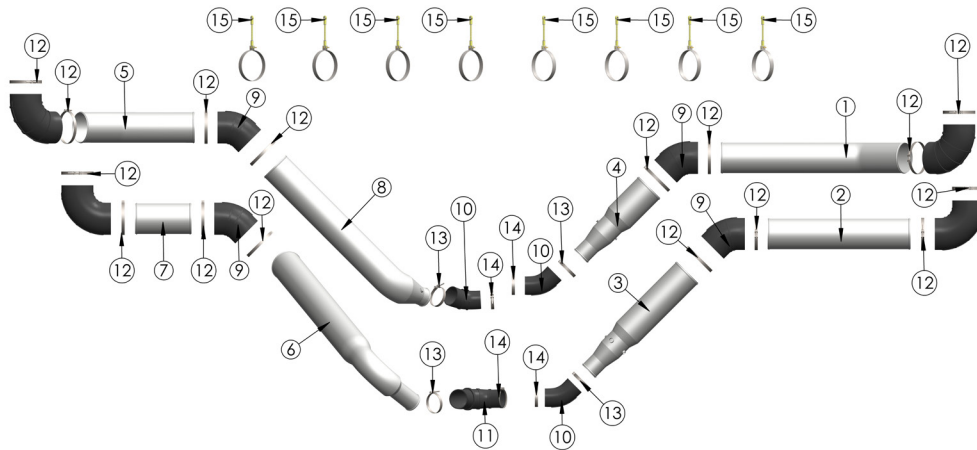
LABEL #	PART #	DESCRIPTION	QTY
1	830-1-IS	10" Manifold Pipe To Air Canister	2
2	830-2-IS	10" To 8" Reducing Mid Pipe	1
3	830-3-IS	8" Pipe To Front Turbo	1
4	830-4-IS	10" Pipe From Manifold	1
5	830-5-IS	10" To 8" Reducing Mid Pipe	1
6	830-6-IS	8" Pipe To Rear Turbo	1
7	RL1090	10" 90° Rubber Elbow	1
8	RL890	8" 90° Rubber Elbow	1
9	RL845	8" 45° Rubber Elbow	3
10	HH10	10" Straight Rubber Hump Hose	4
11	252 275	10" Air Intake Clamps	14
12	214 226	8" Air Intake Clamps	8
13	HAK10	10" Air Pipe Hanger Kit	4
14	HAK8	8" Air Pipe Hanger Kit	3
	830-K2A	COMPLETE AIR INTAKE SYSTEM	1

KOMATSU 830E CUMMINS QSK 60 STAGE ONE AIR INTAKE SYSTEM



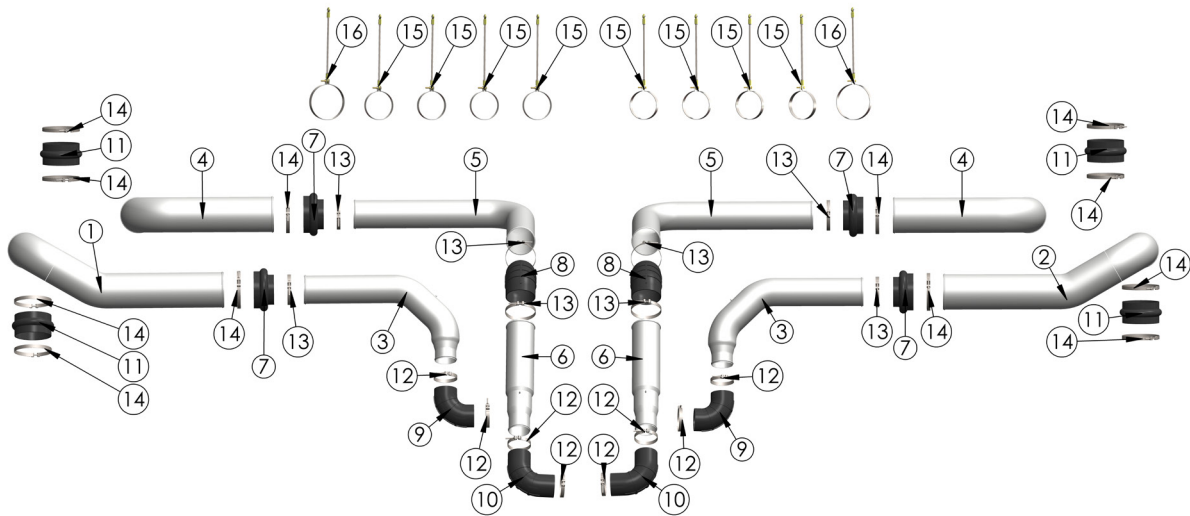
LABEL #	PART #	DESCRIPTION	QTY
1	8361AS-1	10" Driver & Passenger Side Air Canister Pipe	2
2	8361AS-2	8" Driver Side Connector Pipe	1
3	8361AS-3	8" Passenger Side Connector Pipe	1
4	8361AS-4	10" To 8" Driver & Passenger Side Air Canister Pipe	2
5	8361AS-5	8" To 6" Driver Side Turbo Connector	1
6	8361AS-6	8" To 6" Passenger Side Turbo Connector	1
7	8361AS-7	8" To 7" Driver & Passenger Side Steel Reducer	2
8	HHR108	10" To 8" Reducing Rubber Hump Hose	2
9	HH8	8" Straight Rubber Hump Hose	2
10	RL890	8" 90° Rubber Elbow	2
11	RL75590	7" To 5.5" 90° Rubber Elbow	2
12	RL65545	6" To 5.5" 45° Rubber Elbow	2
13	252 275	10" Air Intake Clamps	10
14	214 226	8" Air Intake Clamps	10
15	188 200	7" Air Intake Clamps	2
16	162 174	6" Air Intake Clamps	2
17	149 161	5.5" Air Intake Clamps	4
18	HAK8	8" Air Pipe Hanger Kit	6
19	HAK10	10" Air Pipe Hanger Kit	2
	8361AS	COMPLETE AIR INTAKE SYSTEM	1

KOMATSU 830E CUMMINS QSK 60 STAGE TWO AIR INTAKE SYSTEM



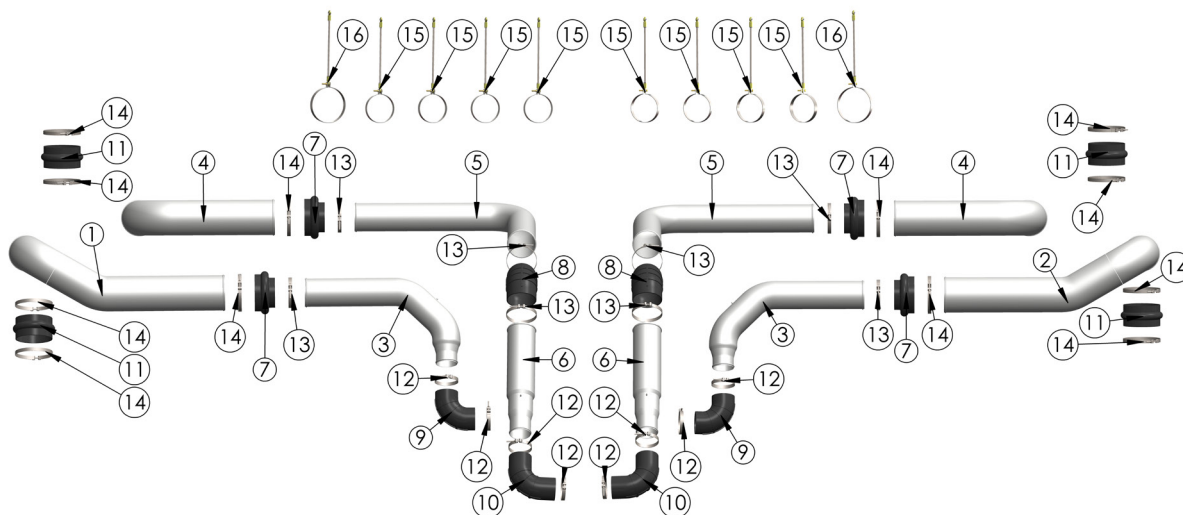
LABEL #	PART #	DESCRIPTION	QTY
1	832QSA-1	Outer Passenger Side Air Canister Pipe	1
2	832QSA-2	Inner Passenger Side Air Canister Pipe	1
3	832QSA-3	10" To 6" Reducing Passenger Rear Turbo Pipe	1
4	832QSA-4	10" To 6" Reducing Passenger Front Turbo Pipe	1
5	832QSA-5	Outer Driver Side Air Canister Pipe	1
6	832QSA-6	10" To 6" Reducing Driver Side Rear Turbo Pipe	1
7	832QSA-7	Inner Driver Side Air Canister Pipe	1
8	832QSA-8	10" To 6" Reducing Left Front Turbo Pipe	1
9	RL1045	10" 45° Rubber Elbow	4
10	RL65545	6" To 5.5" 45° Reducing Rubber Elbow	3
11	RL65590	6" To 5.5" 90° Reducing Rubber Elbow	1
12	252 275	10" Air Intake Clamps	16
13	162 174	6" Air Intake Clamps	4
14	149 161	5.5" Air Intake Clamps	4
15	HAK10	10" Air Pipe Hanger Kit	8
	832QSA	COMPLETE AIR INTAKE SYSTEM	1

KOMATSU 830E DETROIT DIESEL 12V 4000 AIR INTAKE SYSTEM



LABEL #	PART #	DESCRIPTION	QTY
1	83124-01L	Driver Side 10" Canister Crossover Pipe	1
2	83124-01R	Passenger Side 10" Canister Crossover Pipe	1
3	83124-02	8" To 6" Double 45° Reducing Pipe To Front Turbo	2
4	83124-03	10" 90° Canister Pipe	2
5	83124-04	8" 90° Mid Pipe To Rear Turbo	2
6	83124-05	8" To 6" Reducing Pipe To Rear Turbo	2
7	HHR108	10" To 8" Reducing Rubber Hump Hose	4
8	RL845	8" 45° Rubber Elbow	2
9	RL690	6" 90° Rubber Elbow	2
10	90HL6X	6" 90° Rubber Elbow With Long Leg	2
11	HH10	10" Straight Rubber Hump Hose	4
12	162 174	6" Air Intake Clamps	8
13	214 226	8" Air Intake Clamps	8
14	252 275	10" Air Intake Clamps	12
15	HAK8	8" Air Pipe Hanger Kit	8
16	HAK10	10" Air Pipe Hanger Kit	2
	8312V4AS	COMPLETE AIR INTAKE SYSTEM	1

KOMATSU 830E DETROIT DIESEL 16V 4000 AIR INTAKE SYSTEM

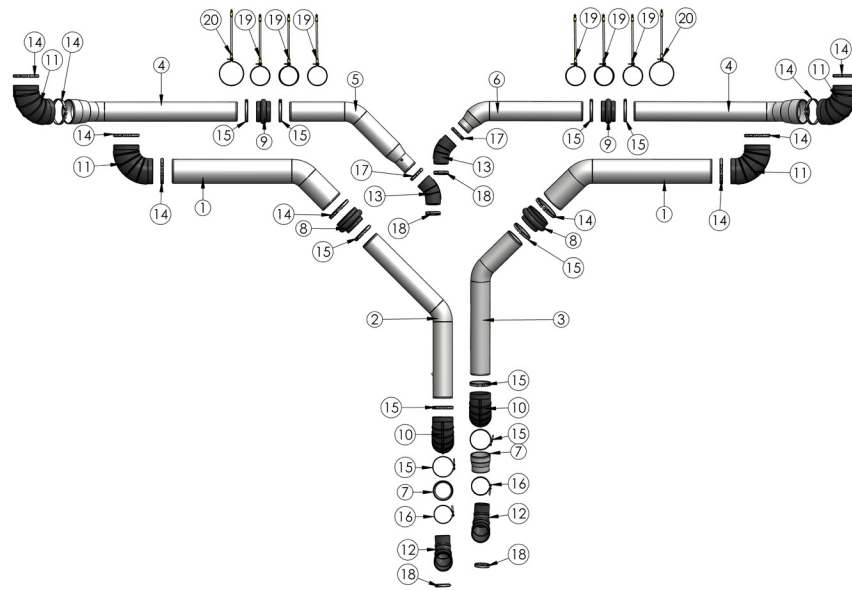


LABEL #	PART #	DESCRIPTION	QTY
1	83164-01L	Driver Side 10" Canister Crossover Pipe	1
2	83164-01R	Passenger Side 10" Canister Crossover Pipe	1
3	83164-02	8" To 6" Double 45° Reducing Pipe To Front Turbo	2
4	83164-03	10" 90° Canister Pipe	2
5	83164-04	8" 90° Mid Pipe To Rear Turbo	2
6	83164-05	8" To 6" Reducing Pipe To Rear Turbo	2
7	HHR108	10" To 8" Reducing Rubber Hump Hose	4
8	RL845	8" 45° Rubber Elbow	2
9	RL690	6" 90° Rubber Elbow	2
10	90HL6X	6" 90° Rubber Elbow With Long Leg	2
11	HH10	10" Straight Rubber Hump Hose	4
12	162 174	6" Air Intake Clamps	8
13	214 226	8" Air Intake Clamps	8
14	252 275	10" Air Intake Clamps	12
15	HAK8	8" Air Pipe Hanger Kit	8
16	HAK10	10" Air Pipe Hanger Kit	2
	8316V4AS	COMPLETE AIR INTAKE SYSTEM	1

AIR INTAKE KITS

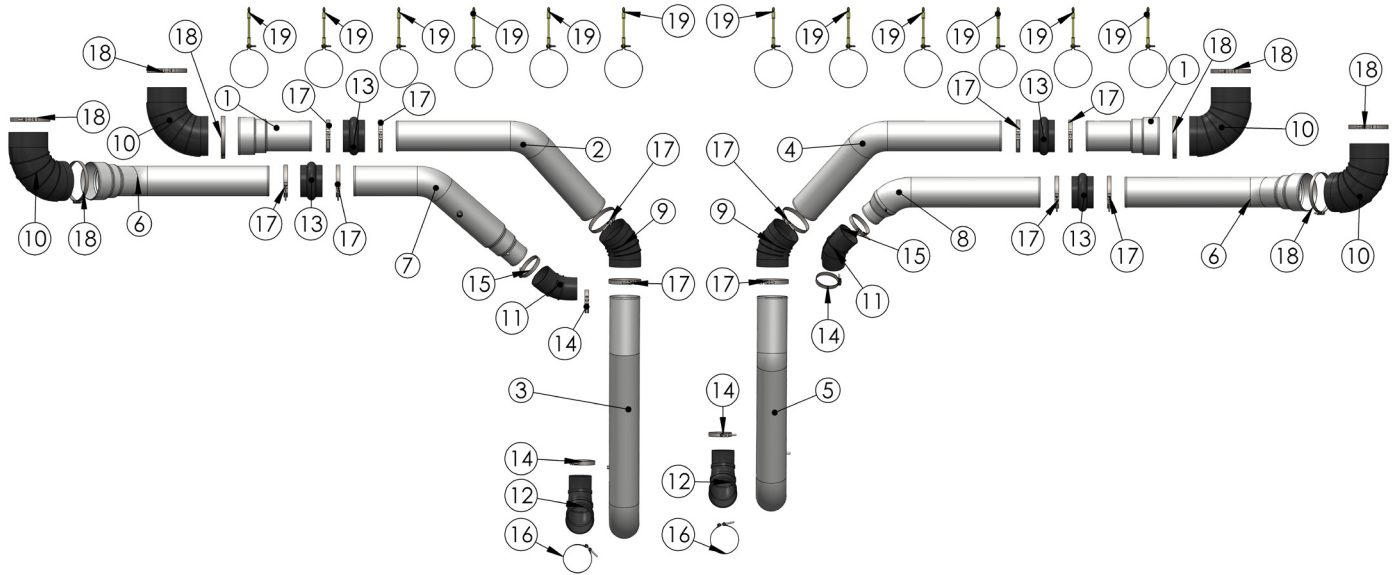
KOMATSU 930E

KOMATSU 930E-1-2-3 CUMMINS QSK 60 STAGE ONE AIR INTAKE SYSTEM



LABEL #	PART #	DESCRIPTION	QTY
1	9361A-3-01	10" Air Canister Pipe Driver & Passenger Side	2
2	9361A-3-02	8" Mid Pipe Driver Side Rear Turbo	1
3	9361A-3-03	8" Mid Pipe Passenger Side Rear Turbo	1
4	9361A-3-04	10" To 8" Air Canister Pipe Driver & Passenger Side	2
5	9361A-3-05	8" To 6" Reducing Pipe To Front Driver Side	1
6	9361A-3-06	8" To 6" Reducing Pipe To Front Passenger Side	1
7	9361A-3-07	8" To 7" Steel Driver & Passenger Side Reducer	2
8	HHR108	10" To 8" Reducing Rubber Hump Hose	2
9	HH8	8" Straight Rubber Hump Hose	2
10	RL890	8" 90° Rubber Elbow	2
11	RL1090	10" 90° Rubber Elbow	4
12	RL75590	7" To 5.5" 90° Reducing Rubber Elbow	2
13	RL65545	6" To 5.5" 45° Reducing Rubber Elbow	2
14	252 275	10" Air Intake Clamp	10
15	214 226	8" Air Intake Clamp	10
16	188 200	7" Air Intake Clamp	2
17	182 174	6" Air Intake Clamp	2
18	149 161	5.5" Air Intake Clamp	4
19	HAK8	8" Air Pipe Hanger Kit	6
20	HAK10	10" Air Pipe Hanger Kit	2
	9361A-3KT	COMPLETE AIR INTAKE SYSTEM	1

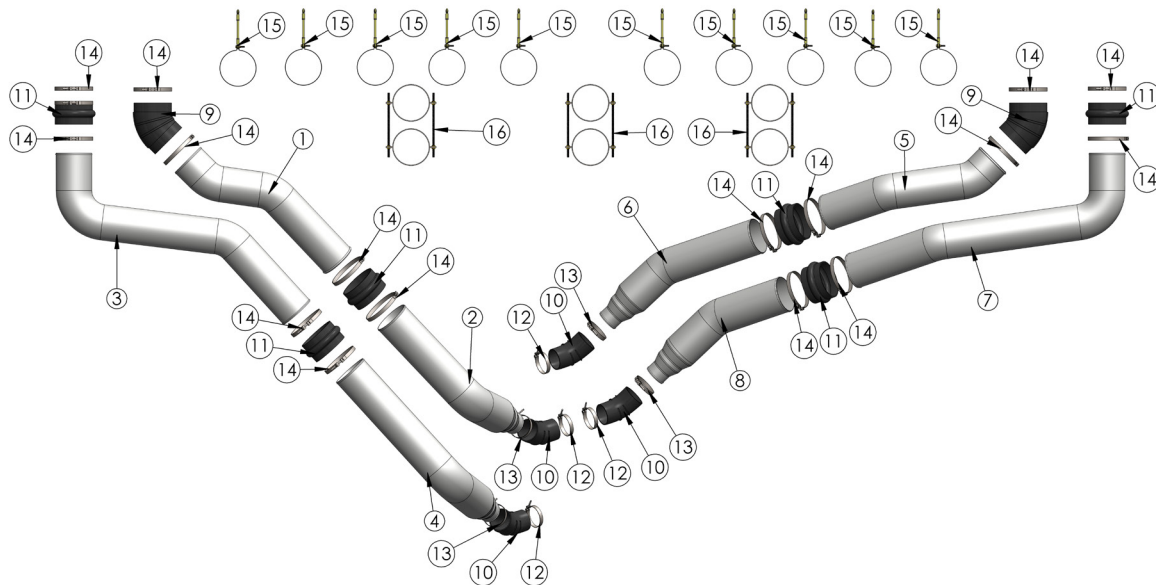
KOMATSU 930E-2 CUMMINS QSK 60 STAGE ONE AIR INTAKE SYSTEM



LABEL #	PART #	DESCRIPTION	QTY
1	QSK1932-01F	10" To 8" Air Canister Pipe Driver & Passenger Side	2
2	QSK1932-02F	8" 45° Driver Side Mid Pipe	1
3	QSK1932-03F	8" To 7" Reducing Pipe Driver Side Rear Turbo	1
4	QSK1932-04F	8" 45° Passenger Side Mid Pipe	1
5	QSK1932-05F	8" To 7" Reducing Pipe Passenger Side Rear Turbo	1
6	QSK1932-06F	10" To 8" Long Air Canister Pipe	2
7	QSK1932-07F	Driver Side Front Turbo Pipe	1
8	QSK1932-08F	Passenger Side Front Turbo Pipe	1
9	RL845	8" 45° Rubber Elbow	2
10	RL1090	10" 90° Rubber Elbow	4
11	RL65545	6" To 5.5" 45° Reducing Rubber Elbow	2
12	RL75590	7" To 5.5" 90° Reducing Rubber Elbow	2
13	HH8	8" Straight Rubber Hump Hose	4
14	149 161	5.5" Air Intake Clamp	4
15	162 174	6" Air Intake Clamp	2
16	214 226	7" Air Intake Clamp	2
17	188 200	8" Air Intake Clamp	12
18	252 275	10" Air Intake Clamp	8
19	HAK8	8" Air Pipe Hanger Kit	12
	QSK1932	COMPLETE AIR INTAKE SYSTEM	1

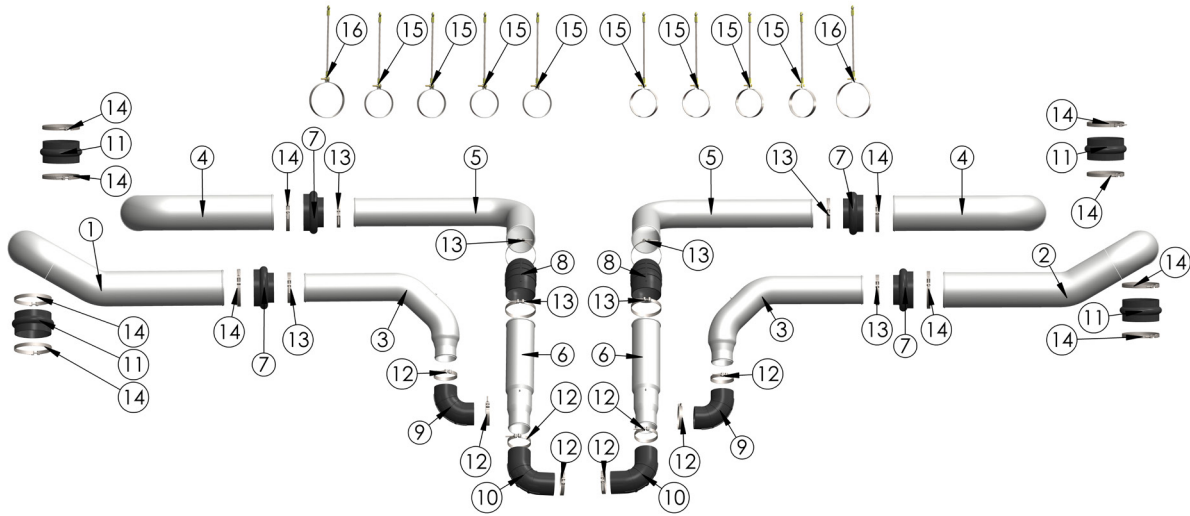
Note: This kit is designed to fit the older 930 fender mount system that vents both exhaust pipes out the passenger side.

KOMATSU 930E-4 CUMMINS QSK 60 STAGE TWO AIR INTAKE SYSTEM



LABEL #	PART #	DESCRIPTION	QTY
1	933QSK2-A1	10" To 10" Driver Side Inner Canister Pipe	1
2	933QSK2-A2	10" To 6" Driver Side Front Reducing Pipe	1
3	933QSK2-A3	10" To 10" Driver Side Outer Canister Pipe	1
4	933QSK2-A4	10" To 6" Driver Side Rear Reducing Pipe	1
5	933QSK2-A5	10" To 10" Passenger Side Inner Canister Pipe	1
6	933QSK2-A6	10" To 6" Passenger Side Front Reducing Pipe	1
7	933QSK2-A7	10" To 10" Passenger Side Outer Canister Pipe	1
8	933QSK2-A8	10" To 6" Passenger Side Rear Reducing Pipe	1
9	RL1045	10" 45° Rubber Elbow	2
10	RL65545	6" To 5.5" 45° Reducing Rubber Elbow	4
11	HH10	10" Straight Rubber Hump Hose	6
12	149 161	5.5" Air Intake Clamp	4
13	162 174	6" Air Intake Clamp	4
14	252 275	10" Air Intake Clamp	16
15	HAK10	10" Air Pipe Hanger Kit	10
16	SPBK10	Spacer Bracket For Air Canister Pipes	3
	933QSK2	COMPLETE AIR INTAKE SYSTEM	1

KOMATSU 930E-1-2-3 DETROIT DIESEL 16V 4000 AIR INTAKE SYSTEM

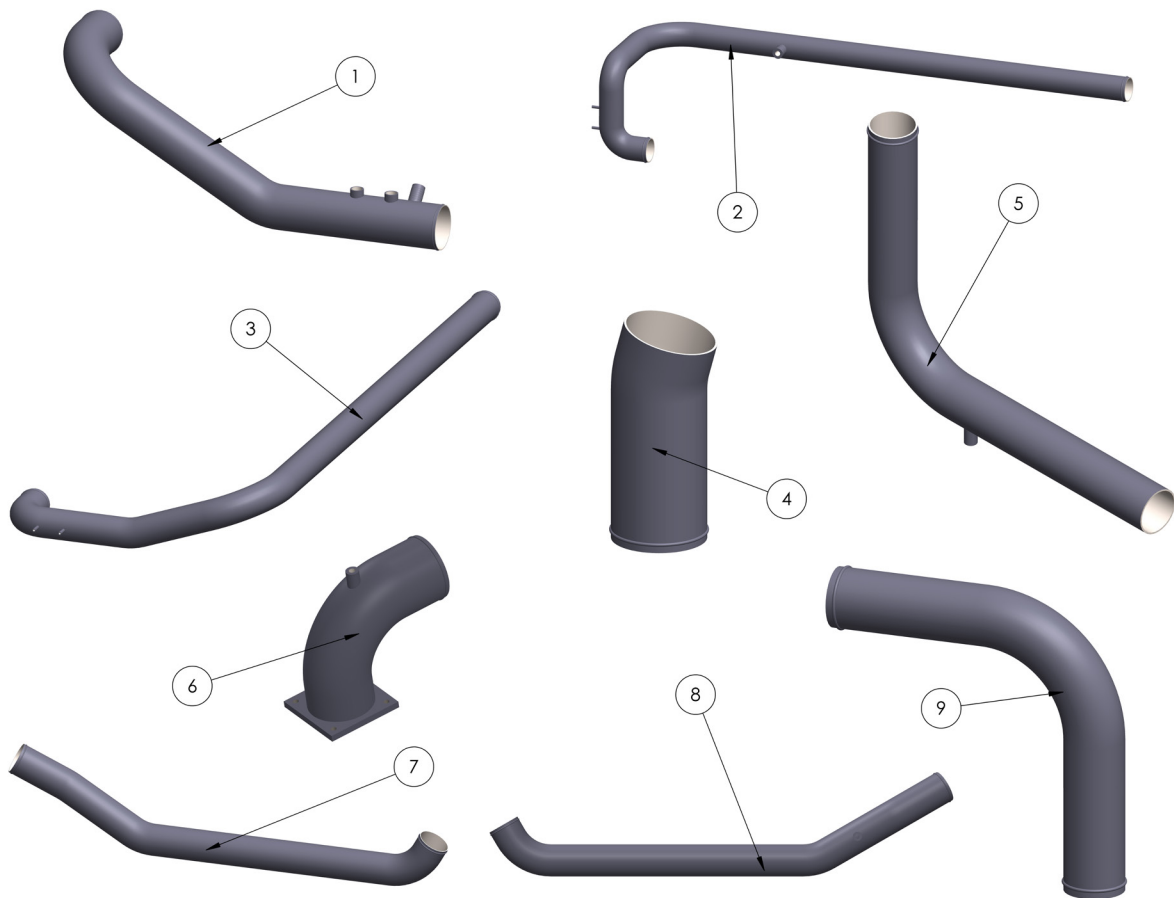


LABEL #	PART #	DESCRIPTION	QTY
1	93164-01L	Driver Side 10" Outer Canister Pipe	1
2	93164-01R	Passenger Side 10" Outer Canister Pipe	1
3	93164-02	8" To 6" Double 45° Reducing Pipe Front Turbo	2
4	93164-03	10" 90° Inner Canister Pipe	2
5	93164-04	8" 90° Mid Pipe To Rear Turbo	2
6	93164-05	8" To 6" Reducing Pipe To Rear Turbo	2
7	HHR108	10" To 8" Reducing Rubber Hump Hose	4
8	RL845	8" 45° Rubber Elbow	2
9	RL690	6" 90° Rubber Elbow	2
10	90HL6X	6" 90* Rubber Elbow With Long Leg	2
11	HH10	10" Straight Rubber Hump Hose	4
12	162 174	6" Air Intake Clamp	8
13	214 226	8" Air Intake Clamp	8
14	252 275	10" Air Intake Clamp	12
15	HAK8	8" Air Pipe Hanger Kit	8
16	HAK10	10" Air Pipe Hanger Kit	2
	93164	COMPLETE AIR INTAKE SYSTEM	1

COOLANT SYSTEMS

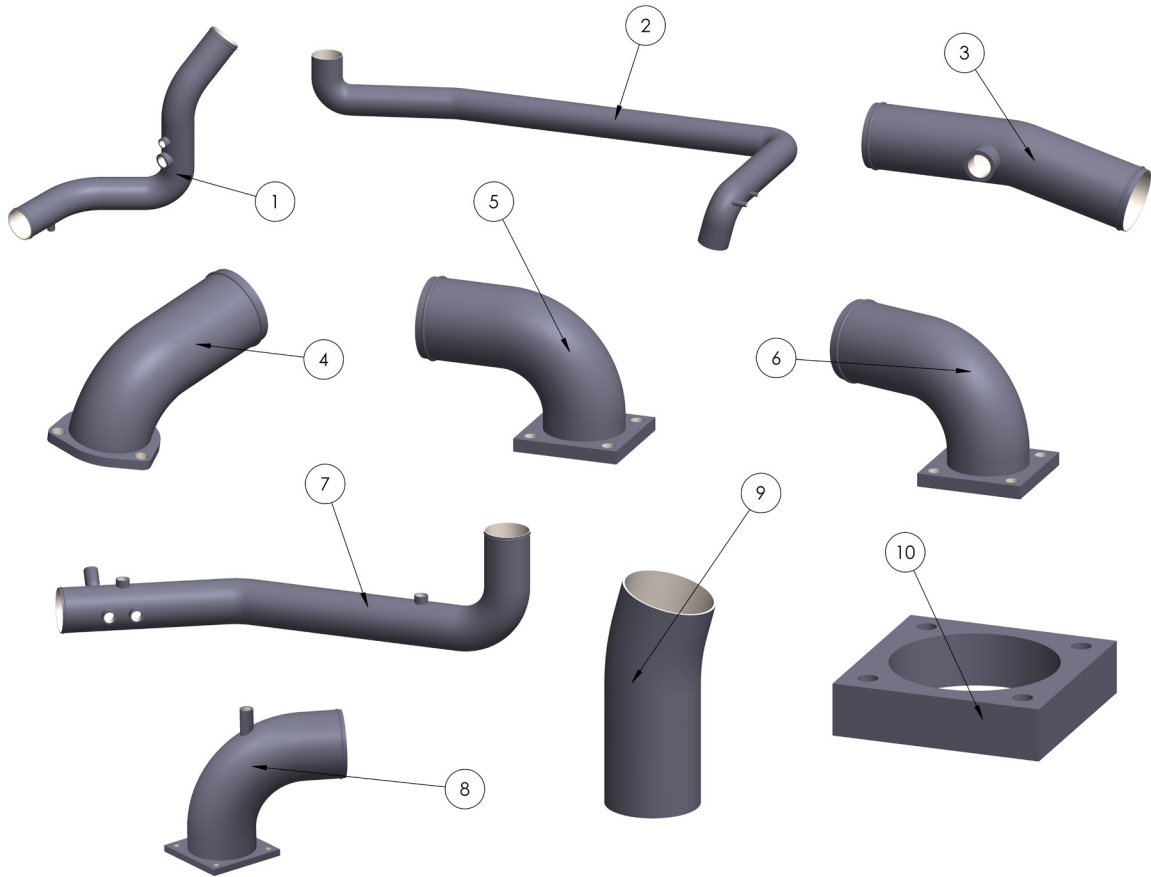
**FOR CUMMINS &
DETROIT ENGINES**

KOMATSU 830E CUMMINS K2000 COOLANT SYSTEM



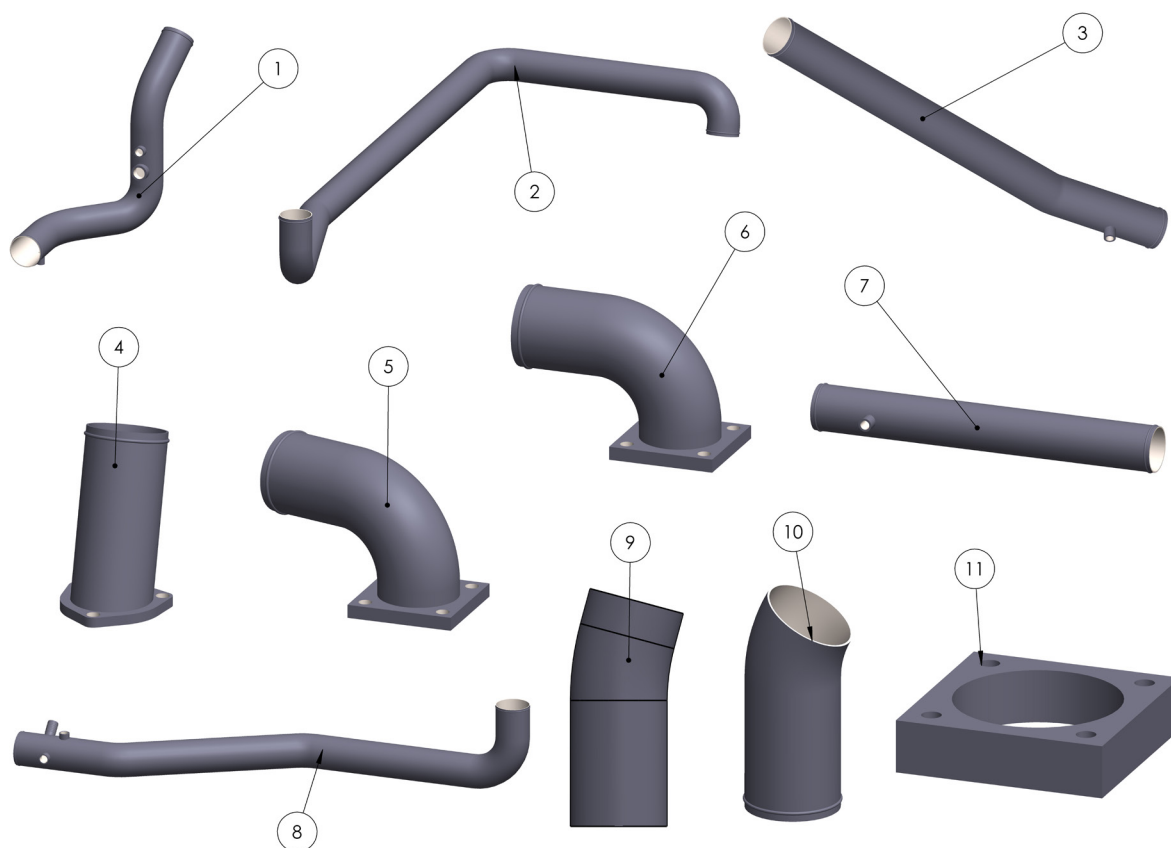
LABEL #	PART #	DESCRIPTION	QTY
1	830-1-CS	5" 90° / 30° Radiator Pipe	1
2	830-2-CS	2.25" Radiator Pipe	1
3	830-3-CS	2.25" Radiator Pipe	1
4	830-4-CS	3.5" 15° Elbow	2
5	830-5-CS	2.25" 90° Radiator Pipe	1
6	830-0918-CS	5" Flanged Short 90° Elbow	1
7	830-OLTCS	3.5" Upper Driver Side Radiator Pipe	1
8	830-ORTCS	3.5" Upper Passenger Side Radiator Pipe	1
9	89231A	2.25" 90° Beaded End Elbow	1
10	90915K	2.25" Ubolt Clamp	2
11	90929K	2" Ubolt Clamp	1
12	89559K	5" Ubolt Clamp	1
	830K200CS	COMPLETE COOLANT SYSTEM	1

KOMATSU 830E QSK 60 STAGE ONE COOLANT SYSTEM



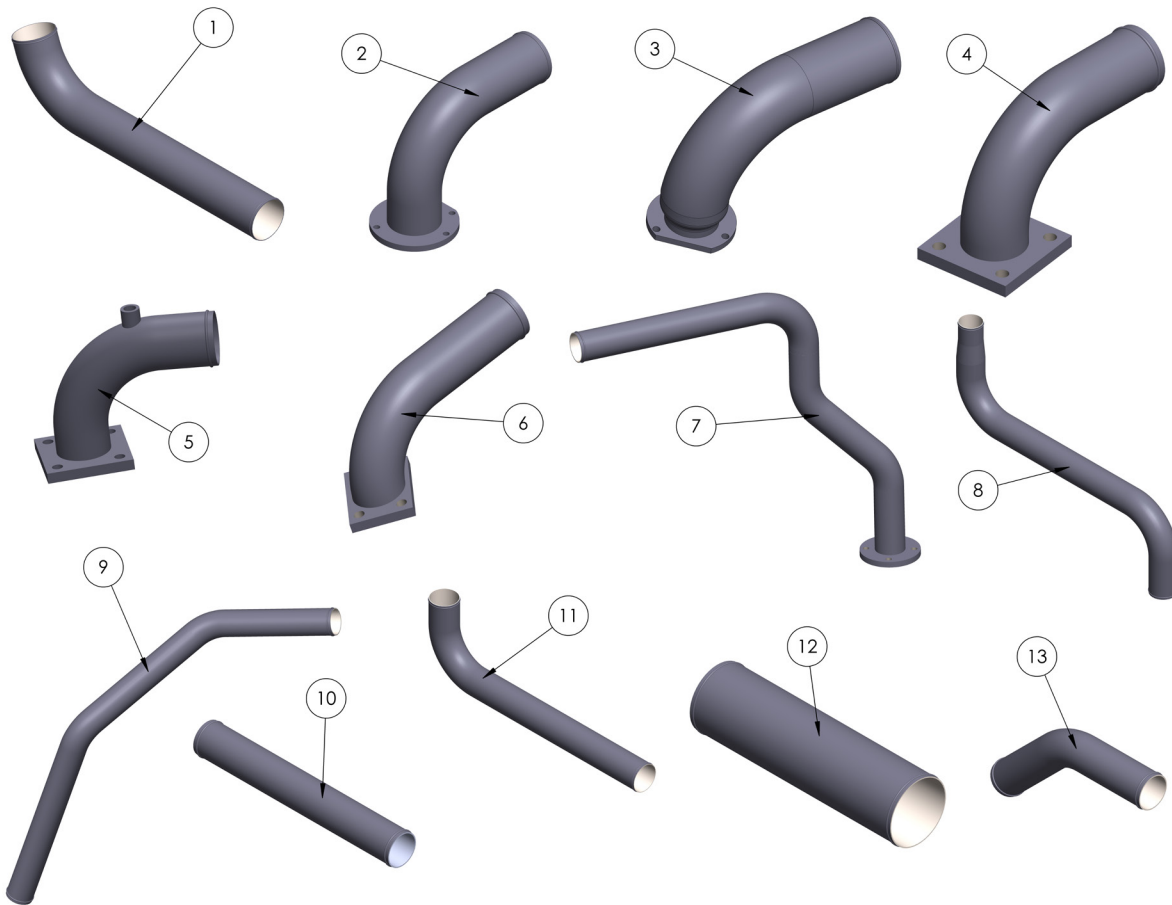
LABEL #	PART #	DESCRIPTION	QTY
1	LTA1-22	Water Pump Inlet Pipe	1
2	LTA2-22	Pipe Passenger Side From Stat Outlet	1
3	LTA3-22	Passenger Side Pipe Extension	1
4	LTA4-22	Stat Outlet Adaptor	1
5	LTA5-22	Passenger Side Radiator Outlet Adaptor	1
6	LTA6-22	Driver Side Radiator Outlet Adaptor	1
7	CS1-22	Main Water Pump Inlet Pipe	1
8	CS2-22	Main Radiator Outlet Adaptor	1
9	CS3-22	3.5" 15° Outlet Adaptor	2
10	CSA-1	4" x 4" x 1" Square Flange	2
11	131 139	5" Clamp	4
12	89556K	3" Ubolt Clamp	4
13	89559K	5" Ubolt Clamp	1
	LTA-22CS	COMPLETE COOLANT SYSTEM	1

KOMATSU 830E QSK 60 STAGE TWO COOLANT SYSTEM



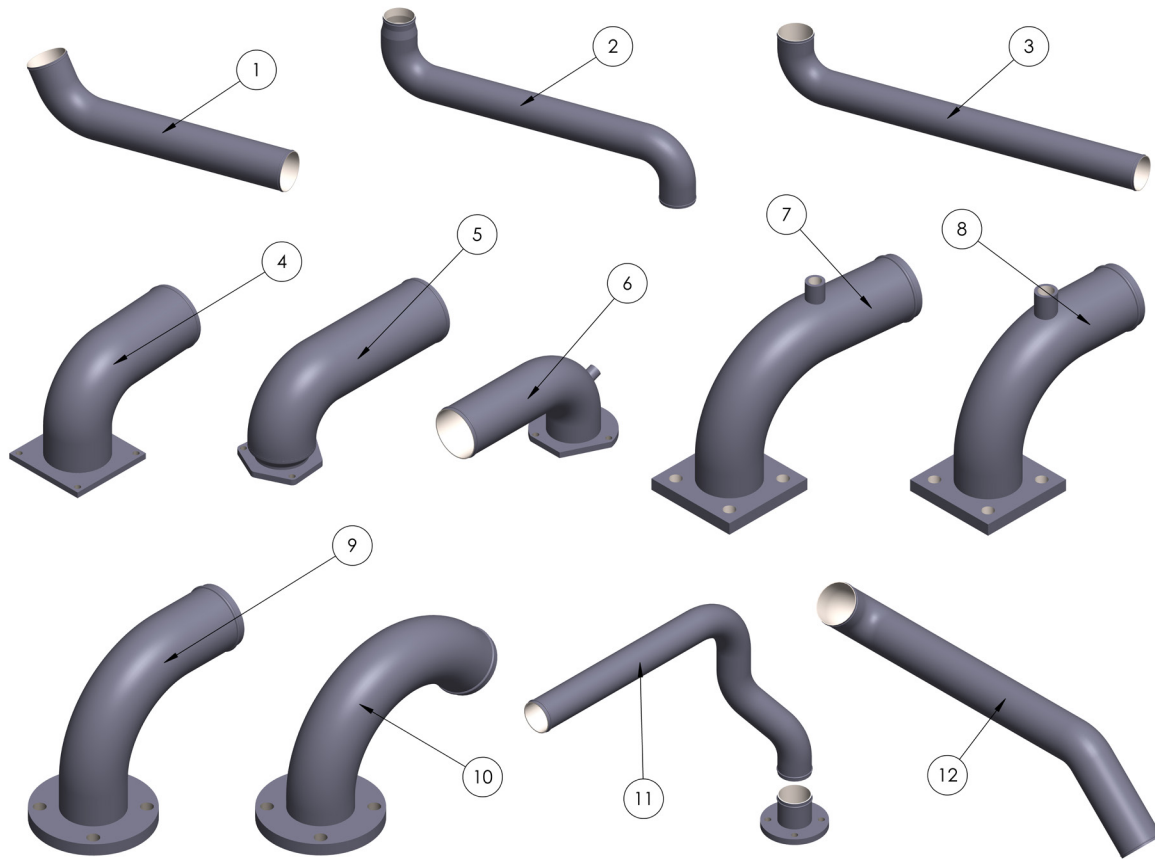
LABEL #	PART #	DESCRIPTION	QTY
1	LTA1-25	Water Pump Inlet Pipe	1
2	LTA2-25	Stat Housing Adaptor	1
3	LTA3-25	Passenger Side Extension Pipe	1
4	LTA4-25	Stat Housing Adaptor	1
5	LTA5-25	Radiator Outlet Elbow	1
6	LTA6-25	Radiator Outlet Elbow	1
7	LTA7-25	Radiator To Waterpump Extension	1
8	CS1-25	Main Water Inlet Pipe	1
9	CS2-25	Main Radiator Outlet	1
10	CS3-25	3.5" 30° Main Coolant Pipe	2
11	CSA-1	4" x 4" x 1" Square Flange	2
12	131 139	5" Clamp	4
13	89556K	3" Ubolt Clamp	4
14	89559K	5" Ubolt Clamp	1
	LTA-25CS	COMPLETE COOLANT SYSTEM	1

KOMATSU 830E DETROIT DIESEL 12V 4000 COOLANT SYSTEM



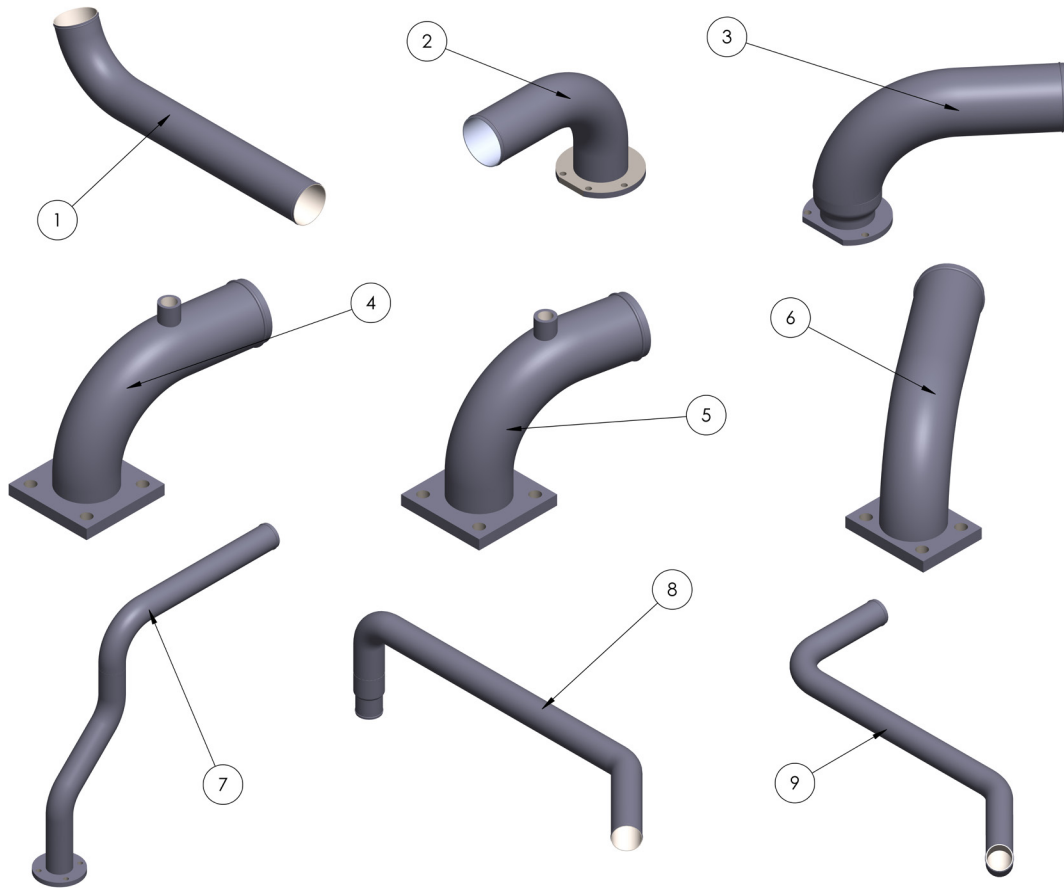
LABEL #	PART #	DESCRIPTION	QTY
1	830412-CSLRO	5" Lower Radiator Outlet	1
2	830412-CSWPO	4" Water Pump Outlet	1
3	830412-CSWPI	5" Water Pump Inlet	1
4	830412-CSLII	Lower Intercooler Inlet	1
5	830412-CSIO	Intercooler Unit	1
6	830412-C SIPO	Intercooler Pump Outlet	1
7	830412-C SIPI	Intercooler Pump Inlet	1
8	830412-08	Upper Radiator Pipe	1
9	830412-09	Intercooler Intermediate Pipe	1
10	830412-10	Radiator Pipe	1
11	830412-11	Radiator Pipe	1
12	830412-12	Radiator Pipe	1
13	830412-13	Radiator Pipe	2
	830412-CS	COMPLETE COOLANT SYSTEM	1

KOMATSU 830E DETROIT DIESEL 12V 4000 TIER TWO COOLANT SYSTEM



LABEL #	PART #	DESCRIPTION	QTY
1	T2C830-01	5" Suction Pipe	1
2	T2C830-02	4" To 3.5" Upper Inlet Pipe	1
3	T2C830-03	4" Upper Return Pipe	1
4	T2C830-04	5" Lower Suction Pipe	1
5	T2C830-05	5" Engine Suction Pipe	1
6	T2C830-06	4" 90° Elbow	1
7	T2C830-07	2.5" Passenger Side Bottom Intercooler Pipe	1
8	T2C830-08	2.5" Driver Side Bottom Intercooler Pipe	1
9	T2C830-09	2.5" Passenger Side Intercooler Engine Pipe	1
10	T2C830-10	2.5" 135° Elbow	1
11	T2C830-11	5" Passenger Side Bottom Intercooler Engine Pipe	1
12	T2C830-12	2.5" Radiator Intake Pipe	1
	830412-CS	COMPLETE COOLANT SYSTEM	1

KOMATSU 830E DETROIT DIESEL 16V 4000 COOLANT SYSTEM



LABEL #	PART #	DESCRIPTION	QTY
1	830416-CSLRO	5" Lower Radiator Outlet	1
2	830416-CSWPO	4" Water Pump Outlet	1
3	830416-CSWPI	5" Water Pump Inlet	1
4	830416-CSLII	Lower Intercooler Inlet	1
5	830416-CSIO	Intercooler Outlet	1
6	830416-CSIPO	Intercooler Pump Outlet	1
7	830416-CSIPI	Intercooler Pump Inlet	1
8	830416-CSURP	Upper Radiator Pipe	1
9	830416-CSIIP	Intercooler Intermediate Pipe	1
	830416-CS	COMPLETE COOLANT SYSTEM	1

KOMATSU 830E DETROIT DIESEL 16V 4000 IPS COOLANT SYSTEM

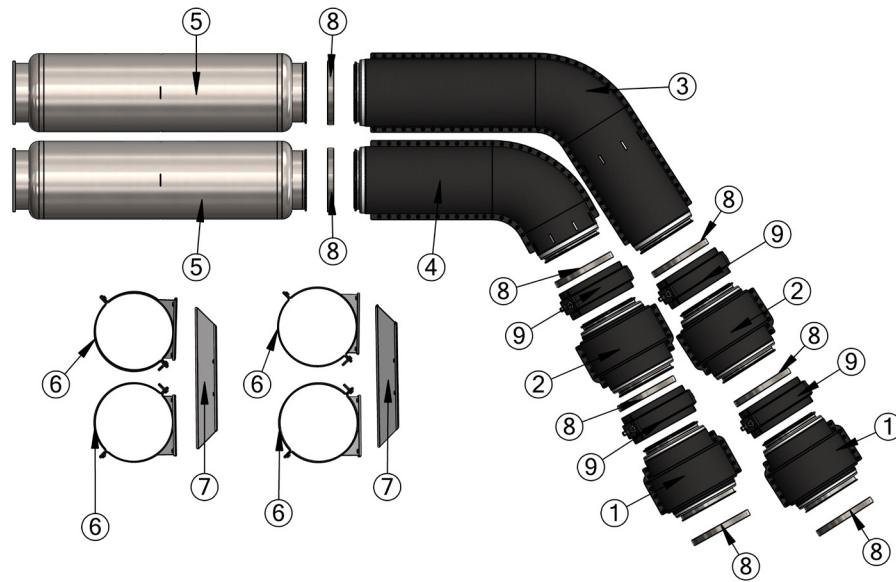


LABEL #	PART #	DESCRIPTION	QTY
1	IPS164-01	2.5" Bottom Passenger Side Radiator Pipe	1
2	IPS164-02	2.5" Driver Side Intercooler Pipe	1
3	IPS164-03	2.5" 90° Flanged Pipe	1
4	IPS164-04	2.5" 52° Flanged Pipe	1
5	IPS164-05	4" Engine Outlet Pipe	1
6	IPS164-06	2.5" Coolant Pipe	1
7	IPS164-07	4" Radiator Pipe	1
8	IPS164-08	4" 66° Coolant Pipe	1
9	IPS164-09	2.5" 45° Coolant Pipe	1
10	IPS164-10	4" 90° Flanged Coolant Pipe	1
11	IPS164-11	3.5" Cap Plug	1
12	IPS164-12	4" 90° Flanged Coolant Pipe	1
	IPS164-CS	COMPLETE COOLANT SYSTEM	1

EXHAUST KITS

CATERPILLAR

CATERPILLAR 797F INSULATED EXHAUST SYSTEM

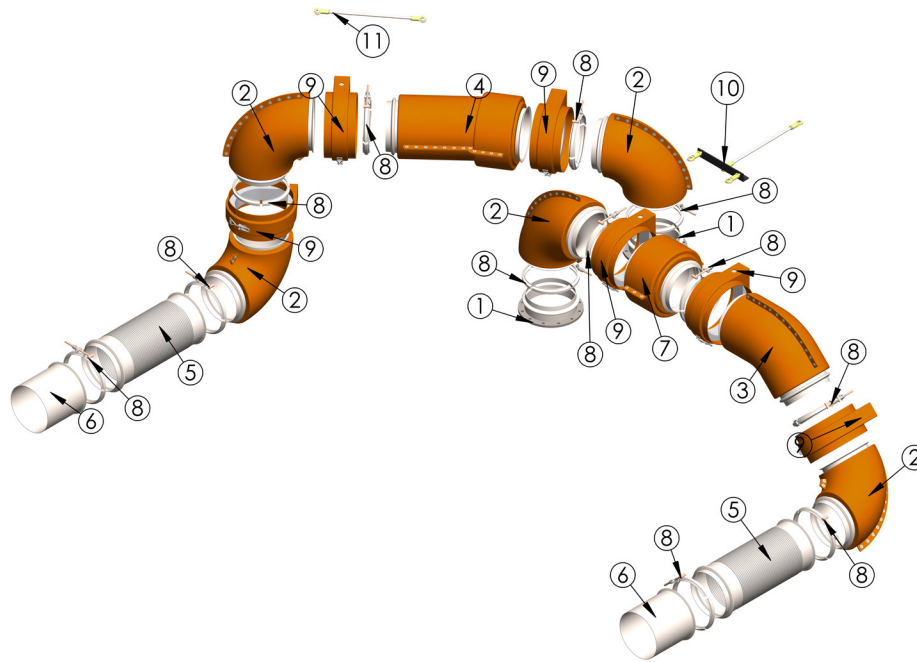


LABEL #	PART #	DESCRIPTION	QTY
1	79712TBC-01	12" Bellows From Turbo	2
2	79712MBC-02	12" Bellows To Exhaust Pipe	2
3	79712LP-03	12" Driver Side Exhaust Pipe	1
4	79712RP-04	12" Passenger Side Exhaust Pipe	1
5	EXMI 16 12	Muffler 16" Body 12" In / Out	2
6	MBC16	16" Muffler Saddle Bracket	4
7	797F-16-MBB	16" Muffler Bracket Base	2
8	VB12	12" V-Band Clamp	8
9	NSVS12 2	Two-Piece 12" Insulated V-Band Clamp Cover	4
	797F	COMPLETE EXHAUST SYSTEM	1

EXHAUST KITS

KOMATSU 630 / 170D

KOMATSU 630/170D DETROIT DIESEL 12V 4000 ENGINE TO HORSE COLLAR INSULATED EXHAUST SYSTEM

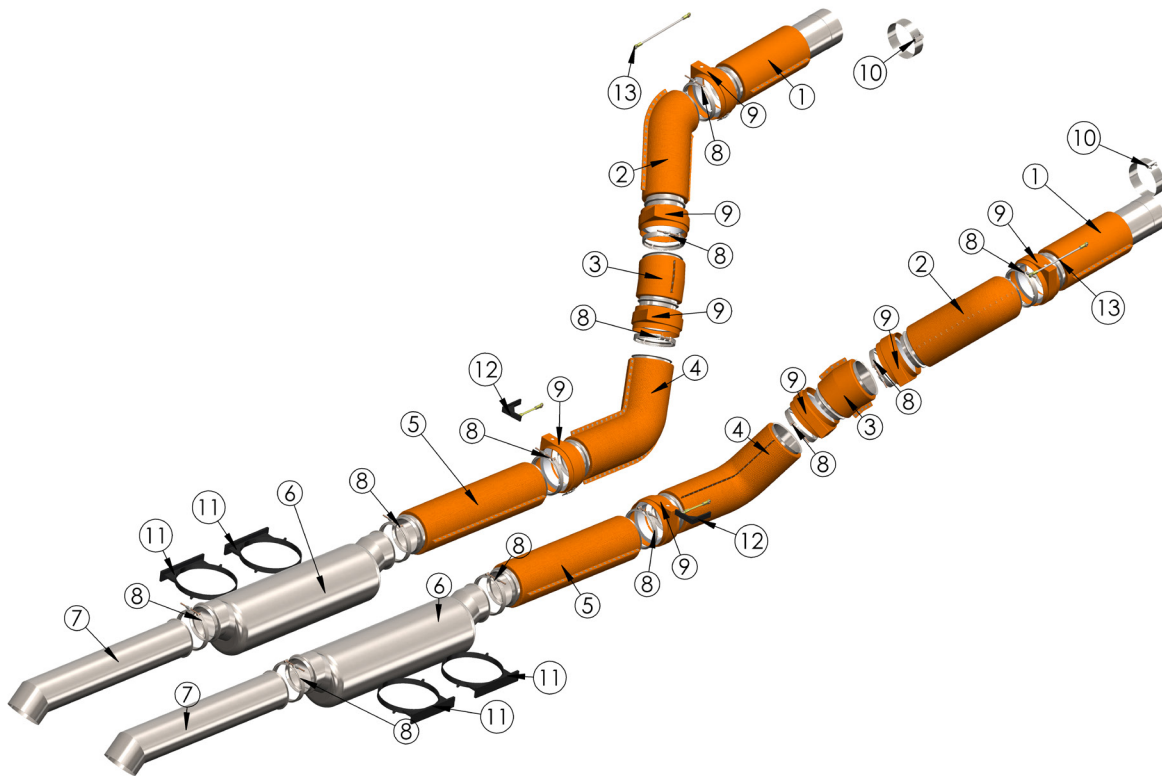


LABEL #	PART #	DESCRIPTION	QTY
1	1763-E	Flanged Turbo Pipe	2
2	1763-A	10" Standard 90° Elbow	5
3	1763-D	10" 45° Elbow	1
4	1763-B	10" 10° Pipe With Bellows	1
5	1763-F	10" Flex Pipe To Horse Collar	2
6	AD10	Flex Pipe Adaptor	2
7	BC10	10" Bellows Pipe	1
8	VB10	10" V-Band Clamp	12
9	VS10	10" Insulated V-Band Clamp Cover	6
10	BCH10	10" Bellows Hanger Kit	1
11	EXH10	Exhaust Hanger	2
	6317-12EX	COMPLETE EXHAUST SYSTEM	1

EXHAUST KITS

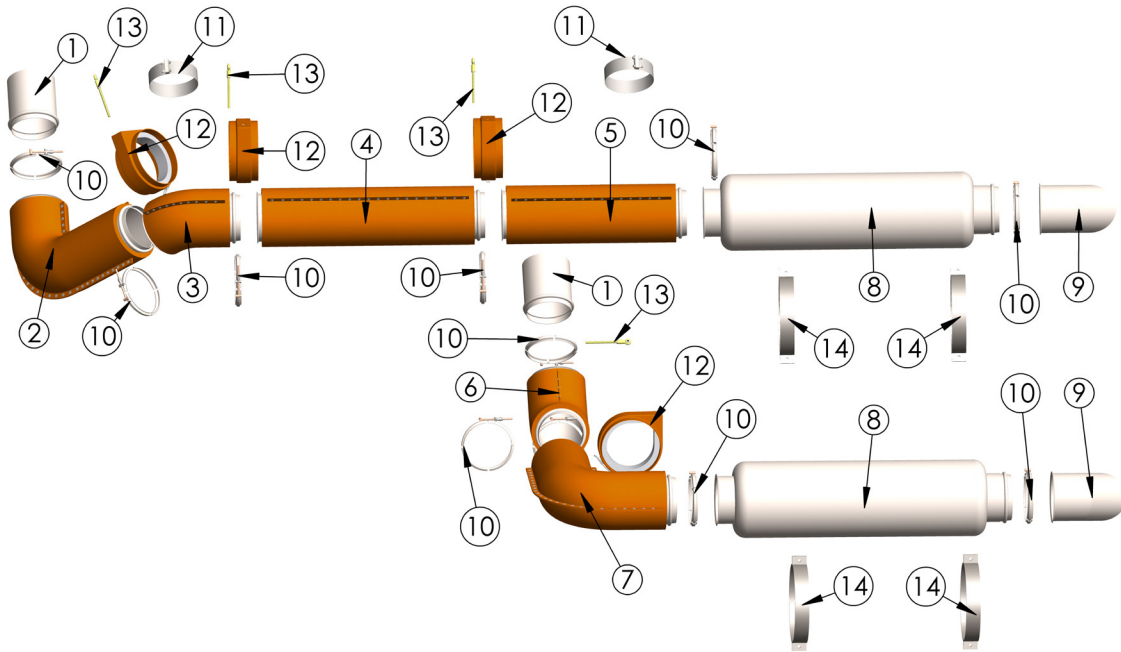
KOMATSU 830E

KOMATSU 830E INFRAME INSULATED EXHAUST SYSTEM FROM BEHIND HORSE COLLAR



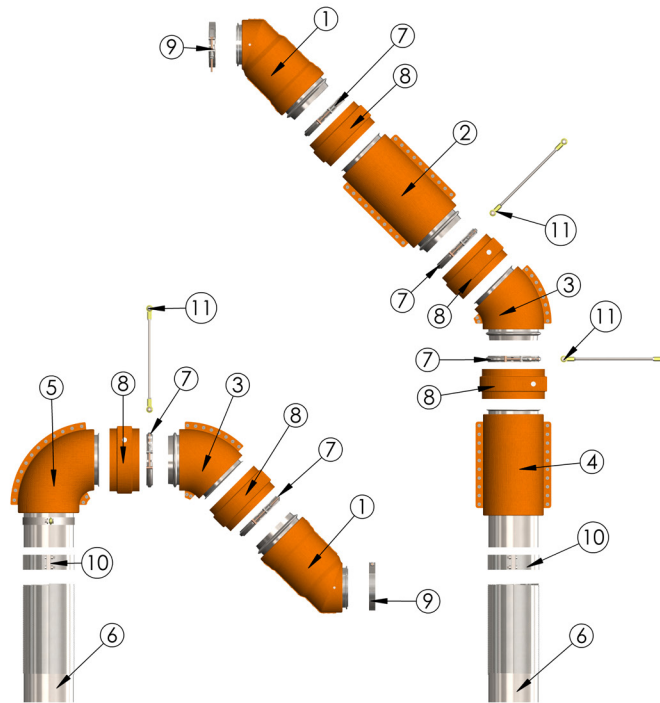
LABEL #	PART #	DESCRIPTION	QTY
1	831FE-1	10" Straight Pipe 38.5" Long	2
2	831FE-2	10" 60° Elbow With Leg	2
3	831FE-3	10" 12° Elbow	2
4	831FE-4	10" 60° Elbow	2
5	831FE-5	10" Straight Pipe 46.5" Long	2
6	831FE-6	16" Diameter Muffler	2
7	831FE-7	10" Muffler Down Spout	2
8	VB10	10" V-Band Clamp	12
9	VS10	10" Insulated V-Band Clamp Cover	8
10	FBC10	10" Stainless Steel Flat Band Clamp	2
11	MB16	16" Muffler Mounting Bracket	4
12	EAS12	Exhaust Angle Bracket Hanger	2
13	EXH10	Exhaust Hanger	2
	831FEXIS	COMPLETE EXHAUST SYSTEM	1

KOMATSU 830E FENDER MOUNT INSULATED EXHAUST SYSTEM FROM BEHIND HORSE COLLAR



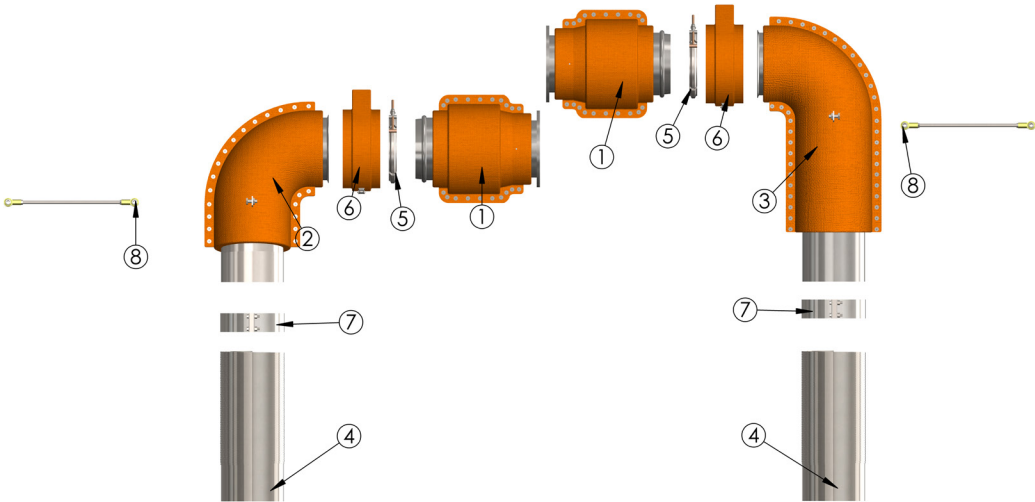
LABEL #	PART #	DESCRIPTION	QTY
1	AD10	10" Flex Pipe Adaptor	2
2	83FME-1	10" 90° Elbow With Leg	1
3	83FME-2	10" 45° Elbow With Leg	1
4	83FME-3	10" Straight Mid Pipe 46.5" Long	1
5	83FME-4	10" Straight Mid Pipe 37.5" Long	1
6	83FME-5	10" 45° Elbow With Short Leg	1
7	83FME-6	10" 90° Elbow To Muffler	1
8	EXMV1610	16" Diameter Muffler	2
9	EXS10	10" Muffler Down Spout	2
10	VB10	10" V-Band Clamp	10
11	FBC10	10" Stainless Steel Flat Band Clamp	2
12	VS10	10" Insulated V-Band Clamp Cover	4
13	EXH10	Exhaust Hanger	4
14	MB16	16" Muffler Mounting Bracket	4
	83FMEIS	COMPLETE EXHAUST SYSTEM	1

KOMATSU 830E CUMMINS K2000 INSULATED EXHAUST SYSTEM FROM ENGINE TO HORSE COLLAR



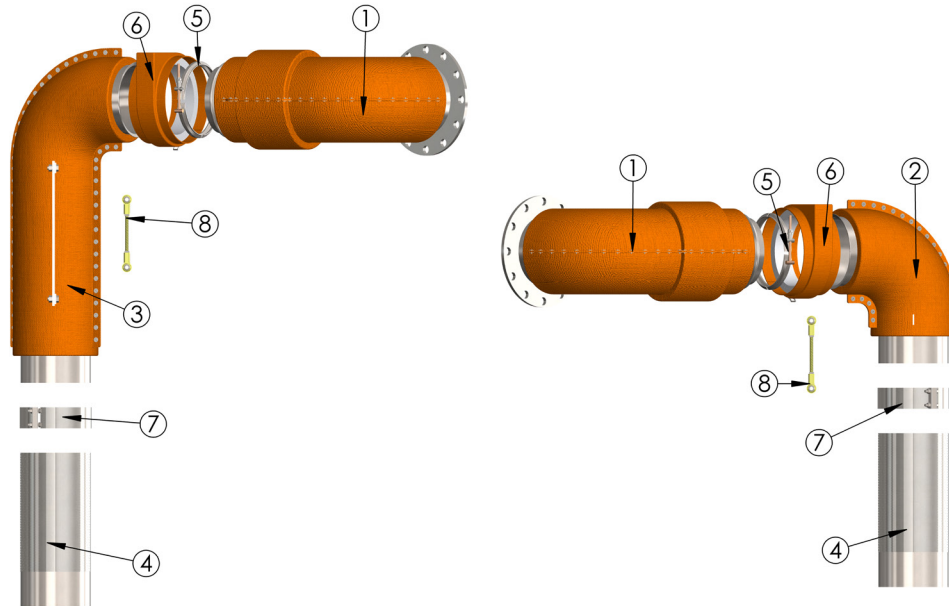
LABEL #	PART #	DESCRIPTION	QTY
1	EXK-01	10" 45° Slashcut Pipe With Bellows	2
2	EXK-02	10" Straight Pipe	1
3	EXK-03	10" Standard 45° Elbow	2
4	EXK-04	10" Straight Pipe	1
5	EXK-05	10" 90° Elbow With Leg	1
6	EXK-06	10" Diameter Stainless Steel Flex Pipe 24" Long	2
7	VB10	10" V-Band Clamp	5
8	VS10	10" Insulated V-Band Clamp Cover	5
9	VB8	8" V-Band Clamp	2
10	FBC10	10" Stainless Steel Flat Band Clamp	2
11	EXH10	Exhaust Hanger	3
	EXK2831S	COMPLETE EXHAUST SYTEM	1

KOMATSU 830E QSK 60 STAGE ONE INSULATED EXHAUST FROM ENGINE TO HORSE COLLAR



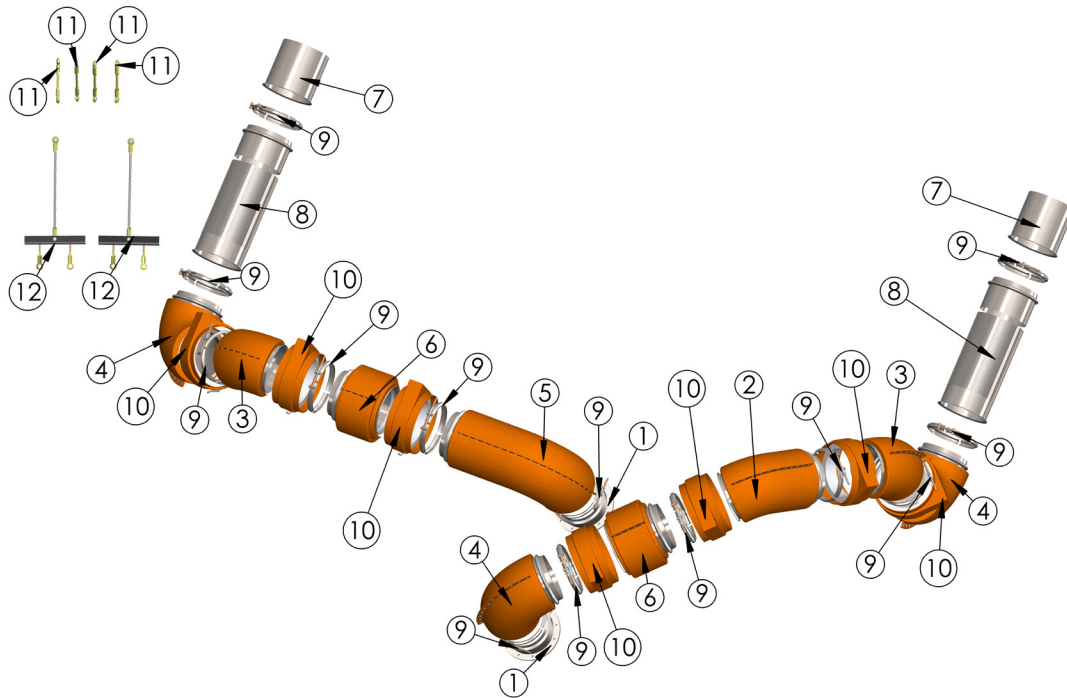
LABEL #	PART #	DESCRIPTION	QTY
1	8361EXA-1	Flanged Turbo Pipe With Bellows	2
2	8361EXA-2	10" 90° Elbow With Short Leg	1
3	8361EXA-3	10" 90° Elbow Driver Side With Long Leg	1
4	8361EXA-4	10" Flex Pipe Connector	2
5	VB10	10" V-Band Clamp	2
6	VS10	10" Insulated V-Band Clamp Cover	2
7	FBC10	10" Stainless Steel Flat Band Clamp	2
8	EXH10	Exhaust Hanger	2
	8361EXA1S	COMPLETE EXHAUST SYSTEM	1

KOMATSU 830E QSK 60 STAGE TWO INSULATED EXHAUST FROM ENGINE TO HORSE COLLAR



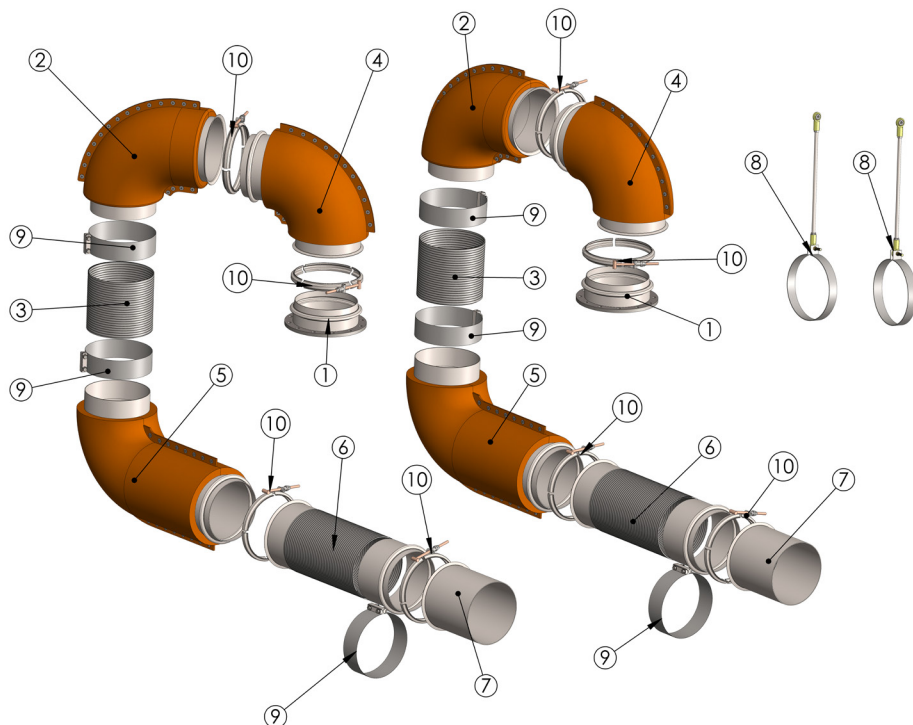
LABEL #	PART #	DESCRIPTION	QTY
1	8362EXA-1	Flanged Turbo Pipe Driver & Passenger Side	2
2	8362EXA-2	10" 90° Elbow Passenger Side With Short Leg	1
3	8362EXA-3	10" 90° Elbow Driver Side With Long Leg	1
4	8362EXA-4	10" Flex Pipe Connector	2
5	VB10	10" V-Band Clamp	2
6	VS10	10" Insulated V-Band Clamp Cover	2
7	FBC10	10" Stainless Steel Flat Band Clamp	2
8	EXH10	Exhaust Hanger	2
	8362EXA2S	COMPLETE EXHAUST SYSTEM	1

KOMATSU 830E DETROIT DIESEL 12V 4000 INSULATED EXHAUST SYSTEM



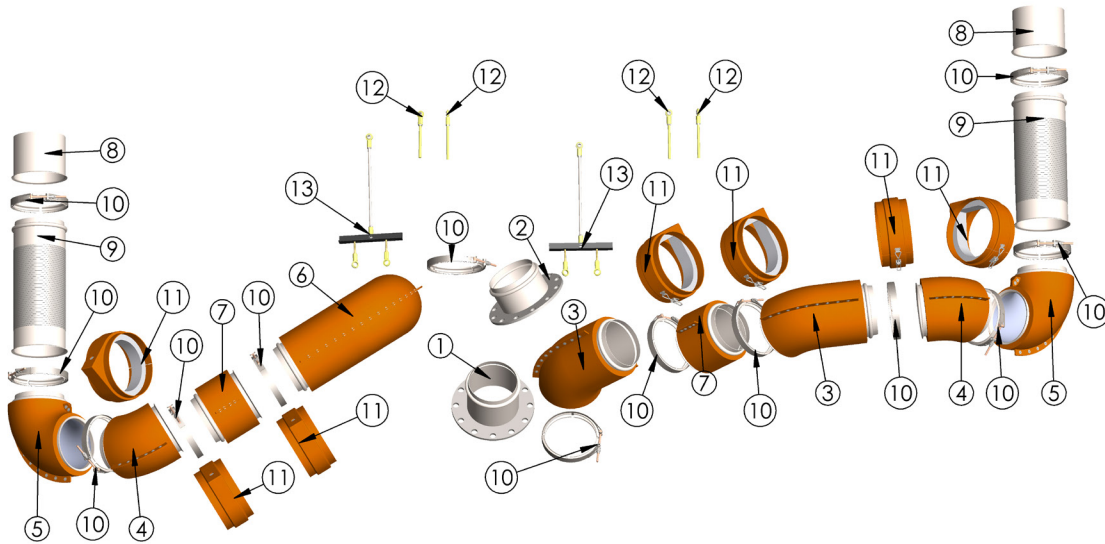
LABEL #	PART #	DESCRIPTION	QTY
1	EX02	5" Flanged Turbo Pipe	2
2	EX03	10" 45° Elbow With Short Leg	1
3	EX04	10" Standard 45° Elbow	2
4	EX05	10" Standard 90° Elbow	3
5	EX06	10" 90° Elbow With Leg	1
6	BC10	10" Bellow Connector Pipe	2
7	AD10	10" Flex Pipe Adaptor	2
8	FCA10	10" Stainless Steel Flex Connector Pipe	2
9	VB10	10" V-Band Clamp	13
10	VS10	10" Insulated V-Band Clamp Cover	7
11	EXH10	Exhaust Hanger	4
12	BCH10	10" Bellows Hanger Kit	2
	EX8312V4S	COMPLETE EXHAUST SYSTEM	1

KOMATSU 830E DETROIT DIESEL 12V TIER TWO INSULATED EXHAUST SYSTEM



LABEL #	PART #	DESCRIPTION	QTY
1	T2E830-01	10" Short Female Flanged Turbo Pipe	2
2	T2E830-02	10" 90° Elbow With Leg	2
3	T2E830-03	9" Of 10" Stainless Steel Flex Pipe	2
4	T2E830-04	10" 90° Elbow	2
5	T2E830-05	90° Elbow With Short Leg	2
6	FC10	10" Stainless Steel Flex Connector Pipe	2
7	AD10	10" Flex Pipe Adaptor	2
8	EXH10	Exhaust Hanger	2
9	FBC10	10" Stainless Steel Flat Band Clamp	6
10	VB10	10" V-Band Clamp	8
	EX8312V4S	COMPLETE EXHAUST SYSTEM	1

KOMATSU 830E DETROIT DIESEL 16V 4000 INSULATED EXHAUST SYSTEM ENGINE TO HORSE COLLAR

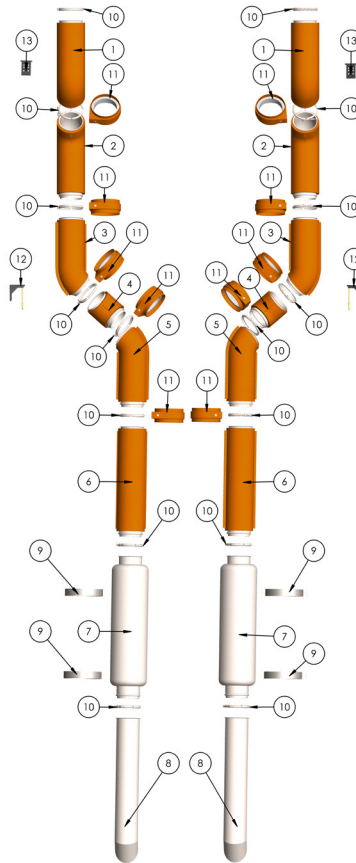


LABEL #	PART #	DESCRIPTION	QTY
1	EX01	7.5" Flanged Turbo Pipe	1
2	EX02	5" Flanged Turbo Pipe	1
3	EX03	10" 45° Elbow With Short Leg	2
4	EX04	10" Standard 45° Elbow	2
5	EX05	10" Standard 90° Elbow	2
6	EX06	10" 90° Elbow With Leg	1
7	BC10	10" Bellows Connector Pipe	2
8	AD10	10" Flex Pipe Adaptor	2
9	FC10	10" Stainless Steel Flex Connector Pipe	2
10	VB10	10" V-Band Clamp	13
11	VS10	10" Insulated V-Band Clamp Cover	7
12	EXH10	Exhaust Hanger	4
13	BCH10	10" Bellows Hanger Kit	2
	EX8316V4S	COMPLETE EXHAUST SYSTEM	1

EXHAUST KITS

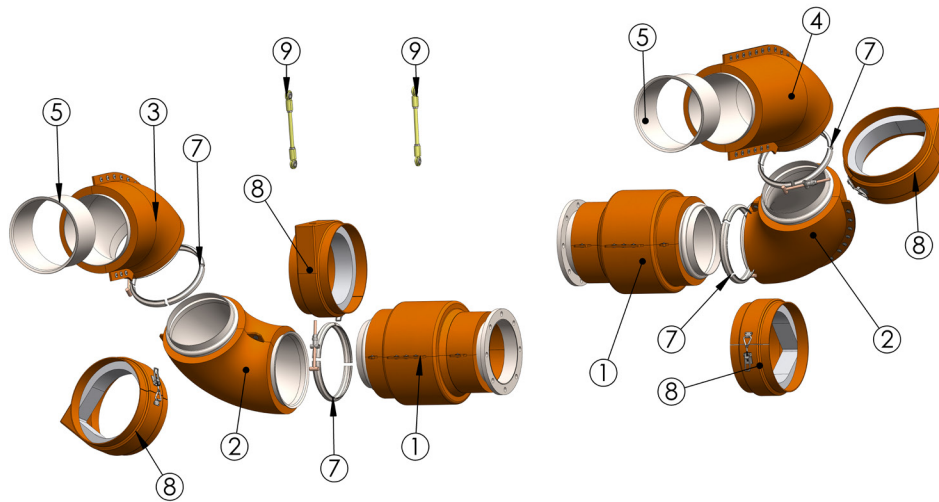
KOMATSU 930E

KOMATSU 930E INFRAME INSULATED EXHAUST SYSTEM FROM BEHIND HORSE COLLAR



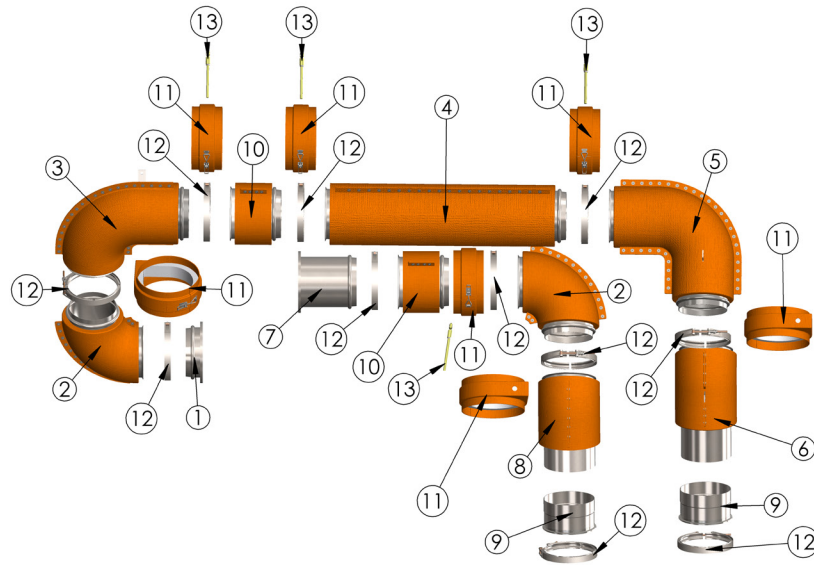
LABEL #	PART #	DESCRIPTION	QTY
1	930IF-01	10" 52° Pipe	2
2	930IF-02	10" 59° Pipe	2
3	930IF-03	10" 52° Pipe	2
4	930IF-04	10" 30° Pipe	2
5	930IF-05	10" 52° Pipe	2
6	930IF-06	10" Straight Pipe	2
7	EXM1610	16" Diameter Muffler	2
8	930IF-08	10" Muffler Down Spout	2
9	MB16	16" Muffler Bracket	4
10	VB10	10" V-Band Clamp	16
11	VS10	10" Insulated V-Band Clamp Cover	10
12	LCH10	Large Channel Hanger	2
13	SCH10	Small Channel Hanger	2
	930IFCK	COMPLETE EXHAUST SYSTEM	1

KOMATSU 930E QSK 60 STAGE ONE INSULATED EXHAUST ENGINE TO HORSE COLLAR



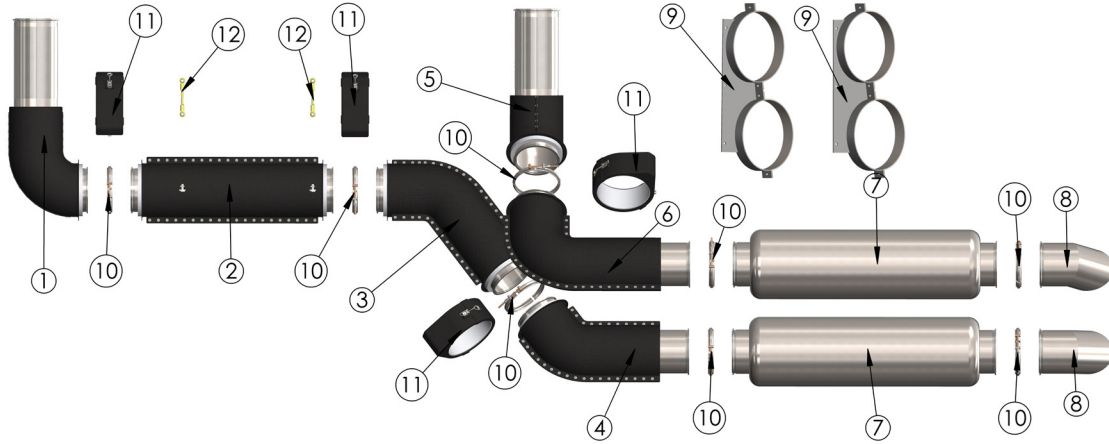
LABEL #	PART #	DESCRIPTION	QTY
1	9361EX-3-01	Turbo Pipe With Bellows	2
2	9361EX-3-02	10" 90° Standard Elbow	2
3	9361EX-3-03	10" 45° Elbow With Short Leg	1
4	9361EX-3-04	10" 45* Elbow With Long Leg	1
5	9361EX-3-05	10" Komatsu Exhaust Flange	2
6	VB10	10" V-Band Clamp	4
7	VS10	10" Insulated V-Band Clamp Cover	4
8	EXH10	Exhaust Hanger	2
	9361EX1	COMPLETE EXHAUST SYSTEM	1

KOMATSU 930E-2 QSK 60 STAGE ONE FENDER MOUNT INSULATED EXHAUST SYSTEM



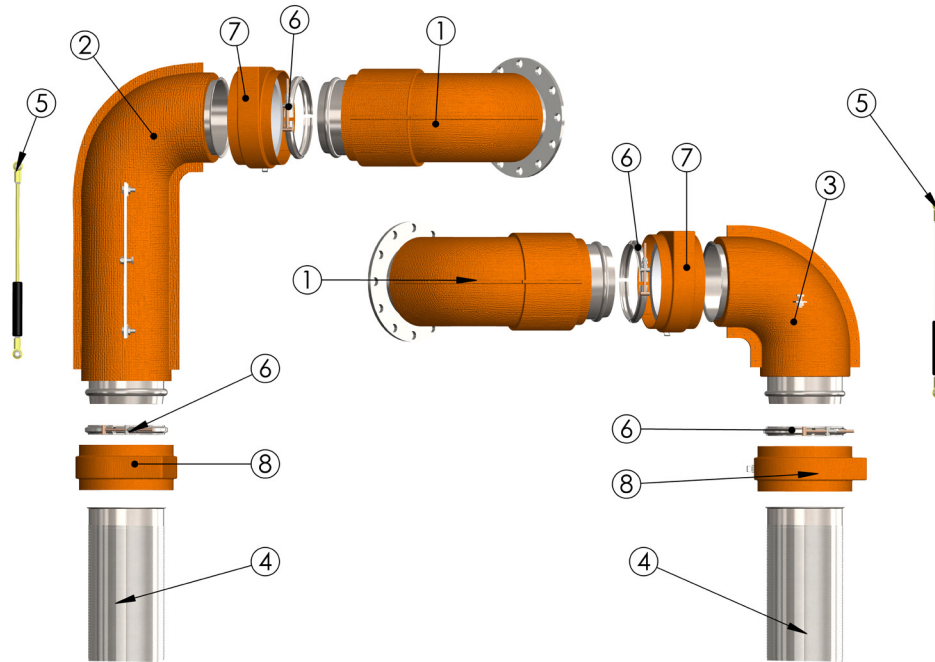
LABEL #	PART #	DESCRIPTION	QTY
1	QSK1932FM-01	Short Flanged Turbo Pipe	1
2	QSK1932FM-02	10" 90° Elbow	2
3	QSK1932FM-03	10" 90° Elbow With Short Leg	1
4	QSK1932FM-04	10" Straight Pipe 46" Long	1
5	QSK1932FM-05	10" 90° Elbow With Leg	1
6	QSK1932FM-06	10" 30° Elbow With Short Leg	1
7	QSK1932FM-07	Long Flanged Turbo Pipe	1
8	QSK1932FM-08	10" 45° Elbow With Short Leg	1
9	QSK1932FM-09	10" ID Flanged Adaptor	2
10	BC10	10" Bellows Connector	2
11	VS10	10" Insulated V-Band Clamp Cover	7
12	VB10	10" V-Band Clamp	11
13	EXH10	Exhaust Hanger	4
	QSK1932FM	COMPLETE EXHAUST SYSTEM	1

KOMATSU 930E-4 QSK 60 STAGE TWO FENDER MOUNT INSULATED EXHAUST SYSTEM



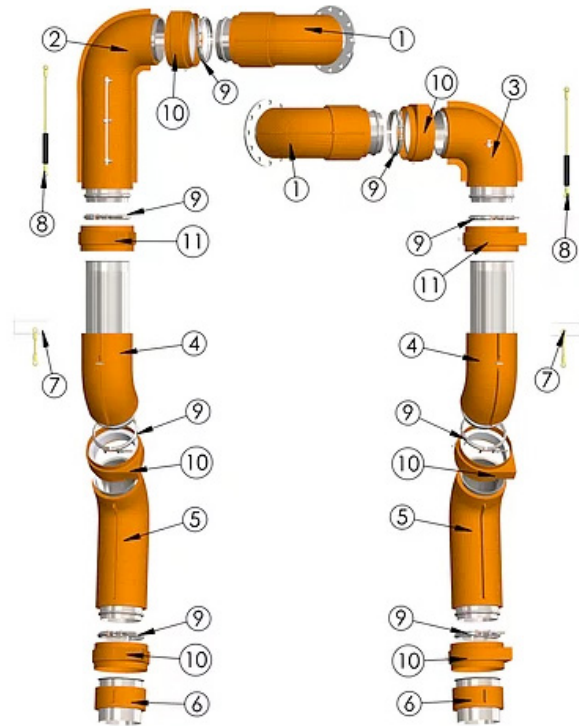
LABEL #	PART #	DESCRIPTION	QTY
1	930QSKFMP-04	10" Pipe Via Horse Collar	1
2	930QSKFMP-05	10" Straight Pipe	1
3	930QSKFMP-06	10" Offset Pipe To Muffler	1
4	930QSKFMP-07	Pipe To Muffler	1
5	930QSKFMP-08	Pipe Via Horse Collar	1
6	930QSKFMP-09	10" 90° Pipe To Muffler	1
7	930QSKFMP-10	Muffler	2
8	930QSKFMP-11	Down Spout	2
9	930QSKFMP-12	Muffler Saddle	2
10	VB10	10" V-Band Clamp	8
11	NSVS10	10" Insulated V-Band Clamp Cover	4
12	EXH10	Exhaust Hanger	2
	930-4QSKFMP	COMPLETE EXHAUST SYSTEM	1

KOMATSU 930E CUMMINS QSK 60 STAGE TWO INSULATED EXHAUST FROM ENGINE TO HORSE COLLAR



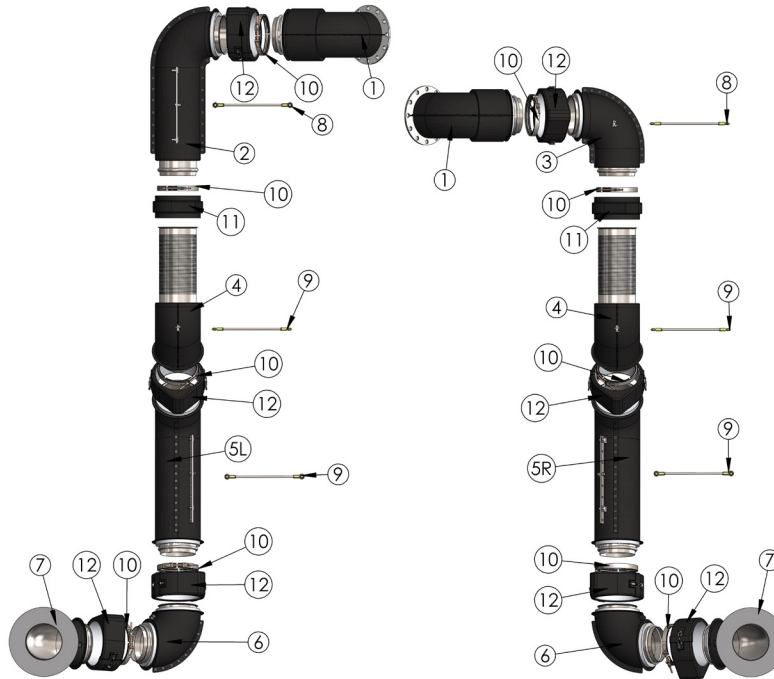
LABEL #	PART #	DESCRIPTION	QTY
1	930QSK2-NS01	Turbo Pipe Off Engine	2
2	930QSK2-NS02	10" 90° Elbow With Long Leg	1
3	930QSK2-NS03	10" 90° Elbow With Short Leg	1
4	FC10	10" Stainless Steel Flex Pipe	2
5	SHN001	Pre-Loaded Spring Hanger	2
6	VB10	10" V-Band Clamp	4
7	NSVS10	10" Insulated V-Band Clamp Cover	2
8	HCVS10	Horse Collar Clamp Cover	2
	QSK60SK2	COMPLETE EXHAUST SYSTEM	1

KOMATSU 930E CUMMINS QSK 60 STAGE TWO INSULATED EXHAUST FROM ENGINE TO LOWER HEATED BOX



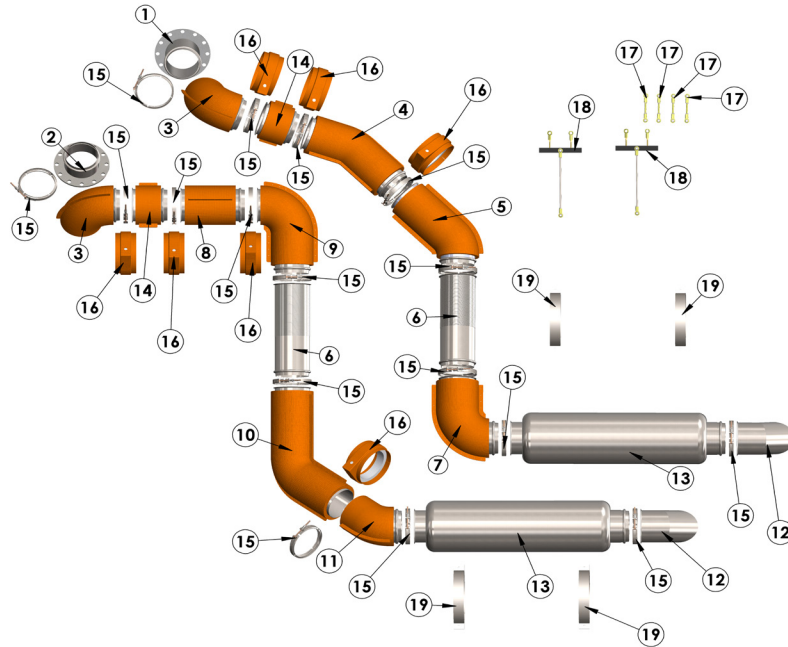
LABEL #	PART #	DESCRIPTION	QTY
1	930QSK2-NS01	Turbo Pipe Off Engine	2
2	930QSK2-NS02	10" 90° Elbow With Long Leg	1
3	930QSK2-NS03	10" 90° Elbow With Short Leg	1
4	930-HBNS-01	Flex Pipe With 52° Elbow	2
5	930-HBNS-02	10" 59° Elbow	2
6	930-HBNS-03	10" Straight Pipe To Heated Box	2
7	EXH10	10" Exhaust Hanger 18" Long	2
8	SHN001	Pre-Loaded Spring Hanger	2
9	VB10	10" V-Band Clamp	8
10	NSVS10	10" Insulated V-Band Clamp Cover	6
11	HCVS10	Horse Collar Clamp Cover	2
12	273V	High Heat O-Ring	8
	QSK60CK	COMPLETE EXHAUST SYSTEM	1

KOMATSU 930E CUMMINS QSK 60 STAGE TWO ENGINE TO UPPER HEATED BOX INSULATED EXHAUST SYSTEM



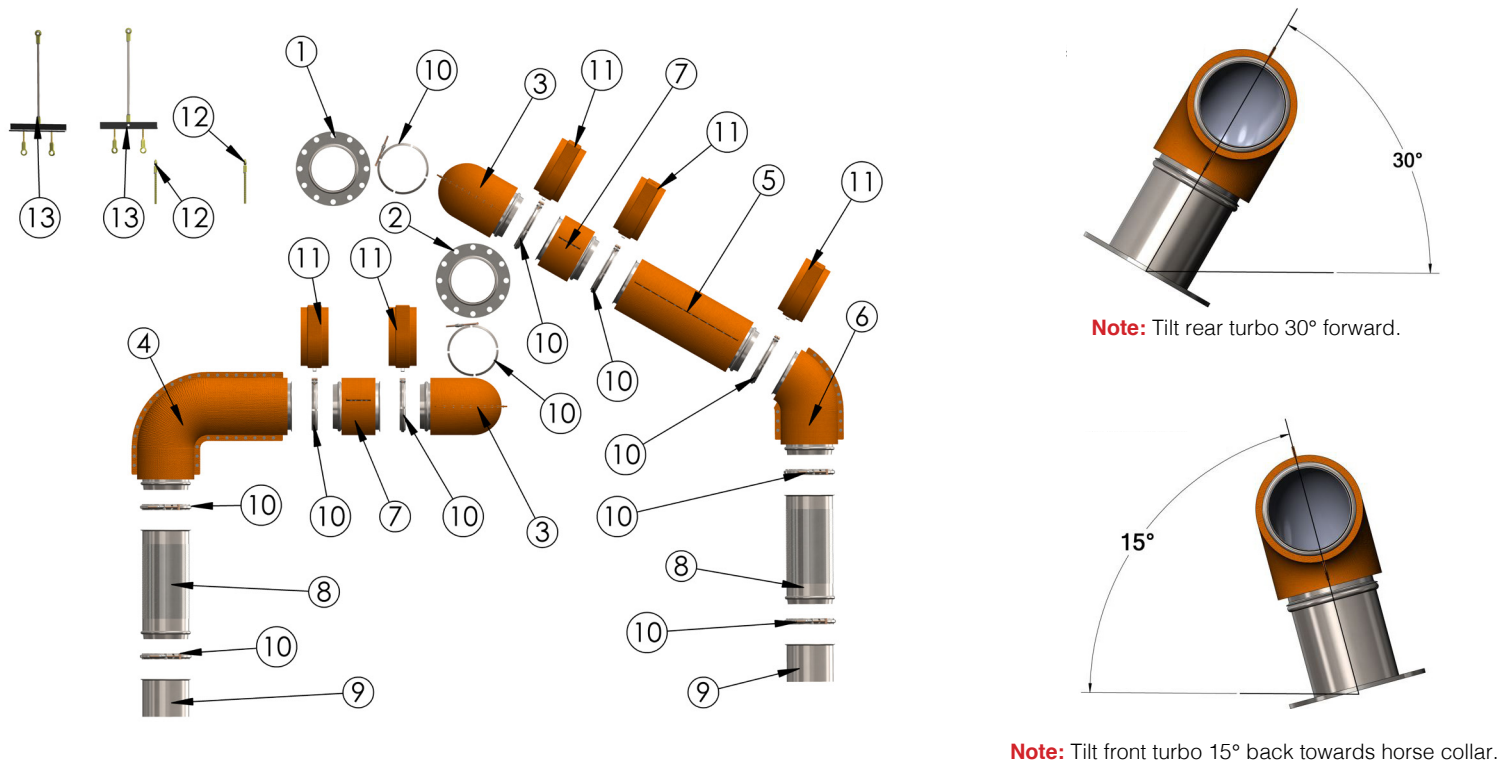
LABEL #	PART #	DESCRIPTION	QTY
1	930QSKNCP-01	10" 60° Flanged Turbo Bellows Pipe	2
2	930QSKNCP-02	10" 90° Elbow With Long Leg	1
3	930QSKNCP-03	90° Elbow With Short Leg	1
4	930QSKNCP-04	47° Via Horse Collar Pipe	2
5L	930QSKNCP-05L	55° Mid Pipe Passenger Side	1
5R	930QSKNCP-05R	55° Mid Pipe Driver Side	1
6	930QSKNCP-06	90° To Upper Heated Box	2
7	930QSKNCP-07	65° To Upper Heated Box	2
8	SHN001	Pre-Loaded Spring Hanger	2
9	EXH10	10" Exhaust Hanger 36" Long	4
10	VB10	10" V-Band Clamp	10
11	HCV10	Horse Collar Clamp Cover	2
12	NSVS210	Two-Piece 10" Insulated V-Band Clamp Cover	8
	930QSK2	COMPLETE EXHAUST SYSTEM	1

KOMATSU 930E-2 DETROIT DIESEL 16V 4000 FENDER MOUNT INSULATED EXHAUST SYSTEM



LABEL #	PART #	DESCRIPTION	QTY
1	930-16DF-01	11" Flanged Turbo Pipe	1
2	930-16DF-02	5" Flanged Turbo Pipe	1
3	930-16DF-03	10" Standard 90° Elbow	2
4	930-16DF-04	10" 30° Elbow With Leg	1
5	930-16DF-05	10" 59° Elbow	1
6	930-16DF-06	10" Stainless Steel Flex Pipe	2
7	930-16DF-07	10" 90° Elbow With Leg	1
8	930-16DF-08	10" Straight Pipe	1
9	930-16DF-09	10" 90° Elbow With Leg	1
10	930-16DF-10	10" 59° Elbow With Leg	1
11	930-16DF-11	10" 45° Elbow With Leg	1
12	EXS10	10" Muffler Down Spout	2
13	EXMV1610	16" Diameter Muffler	2
14	BC10	10" Bellows Pipe	2
15	VB10	10" V-Band Clamp	17
16	VS10	10" Insulated V-Band Clamp Cover	7
17	EXH10	Exhaust Hanger	4
18	BCH10	10" Bellows Hanger Kit	2
19	MB16	16" Muffler Bracket	4
	930-16DF	COMPLETE EXHAUST SYSTEM	1

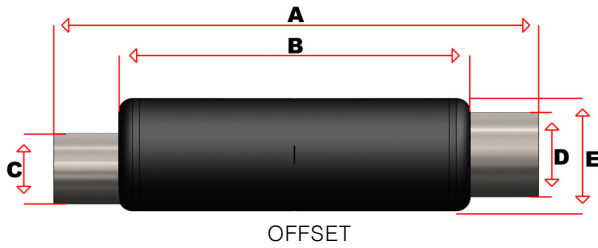
KOMATSU 930E DETROIT DIESEL 16V 4000 INSULATED EXHAUST FROM ENGINE TO HORSE COLLAR



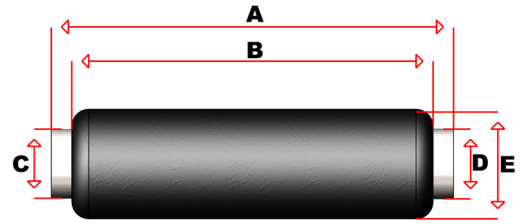
LABEL #	PART #	DESCRIPTION	QTY
1	930-16-01F	2.5" Flanged Pipe	1
2	930-16-01B	5" Flanged Pipe	1
3	930-16-02	10" Standard 90° Elbow	2
4	930-16-03	10" 90° Elbow With Leg	1
5	930-16-04	29" Of Straight Pipe	1
6	930-16-05	10" 60° Elbow	1
7	BC10	10" Bellows Pipe	2
8	FCA10	10" Stainless Steel Flex Connector Pipe	2
9	AD10	10" Flex Pipe Adaptor	2
10	VB10	10" V-Band Clamp	11
11	VS10	10" Insulated V-Band Clamp Cover	5
12	EXH10	Exhaust Hanger	2
13	BCH10	10" Bellows Hanger Kit	2
	930-16-EXS	COMPLETE EXHAUST SYSTEM	1

MUFFLERS

16" DIAMETER ID / OD MUFFLERS



OFFSET



STRAIGHT

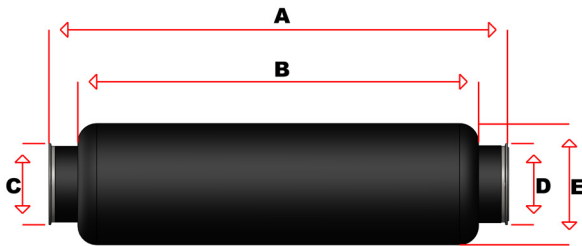
16" DIAMETER ID / OD MUFFLERS OFFSET (EXMO) OR STRAIGHT (EXMI)

PART #	A	B	C	D	E	INLET
	OVERALL	BODY	ID	OD	DIA	OFFSET
EXM016 8	59"	54"	8"	8"	16"	2" Offset
EXMI16 8	59"	54"	8"	8"	16"	Centre
EXMO16 10	59"	54"	10"	10"	16"	2" Offset
EXMI16 10	59"	54"	10"	10"	16"	Centre

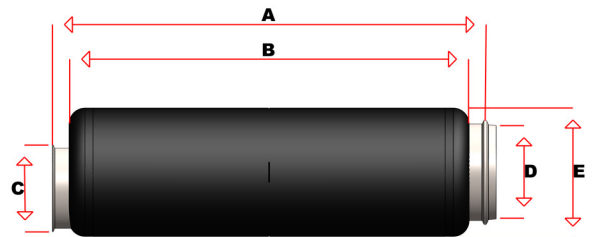
Note: Inlet is ID, outlet is OD. A and B are customizable.

16" DIAMETER V-BAND STYLE MUFFLERS

These mufflers are typically used on 12V & 16V Detroit and Cummins engines.



STRAIGHT

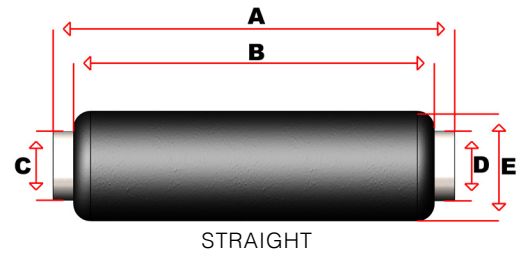
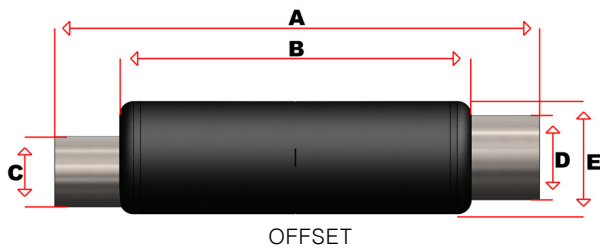


OFFSET

16" DIAMETER V-BAND STYLE MUFFLERS STRAIGHT (EXMV) OR OFFSET (EXMVO)

PART #	A	B	C	D	E	INLET
	OVERALL	BODY	ID	OD	DIA	OFFSET
EXMV16 8	59"	54"	8"	8"	16"	Centre
EXMVO16 8	59"	54"	8"	8"	16"	2" Offset
EXMV16 10	59"	54"	10"	10"	16"	Centre
EXMVO16 10	59"	54"	10"	10"	16"	2" Offset

18" DIAMETER ID / OD MUFFLERS

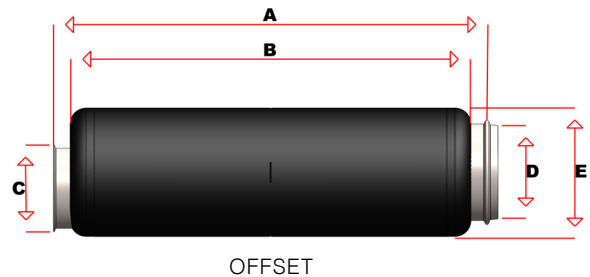
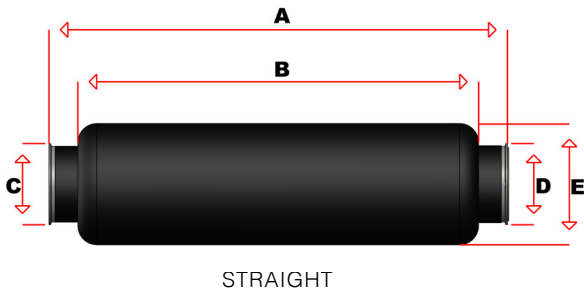


18" DIAMETER ID / OD MUFFLERS OFFSET (EXMO) OR STRAIGHT (EXMI)

PART #	A	B	C	D	E	INLET
	OVERALL	BODY	ID	OD	DIA	OFFSET
EXMO18 8	59"	54"	8"	8"	18"	2" Offset
EXMI18 8	59"	54"	8"	8"	18"	Centre
EXMO18 10	59"	54"	10"	10"	18"	2" Offset
EXMI18 10	59"	54"	10"	10"	18"	Centre
EXMO18 12	59"	54"	12"	12"	18"	2" Offset
EXMI18 12	59"	54"	12"	12"	18"	Centre

Note: Inlet is ID, outlet is OD. A and B are customizable.

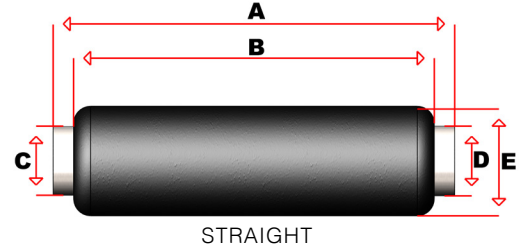
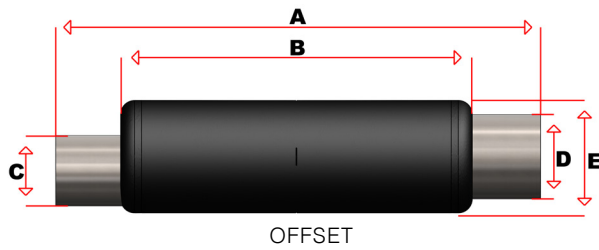
18" DIAMETER V-BAND STYLE MUFFLERS



18" DIAMETER V-BAND STYLE MUFFLERS STRAIGHT (EXMV) OR OFFSET (EXMVO)

PART #	A	B	C	D	E	INLET
	OVERALL	BODY	ID	OD	DIA	OFFSET
EXMV18 8	59"	54"	8"	8"	18"	Centre
EXMVO18 8	59"	54"	8"	8"	18"	2" Offset
EXMV18 10	59"	54"	10"	10"	18"	Centre
EXMVO18 10	59"	54"	10"	10"	18"	2" Offset
EXMV18 12	59"	54"	12"	12"	18"	Centre
EXMVO18 12	59"	54"	12"	12"	18"	2" Offset

20" DIAMETER ID / OD MUFFLERS

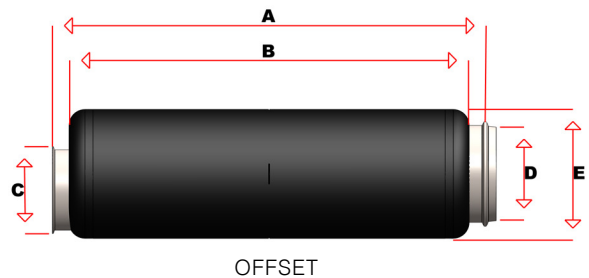
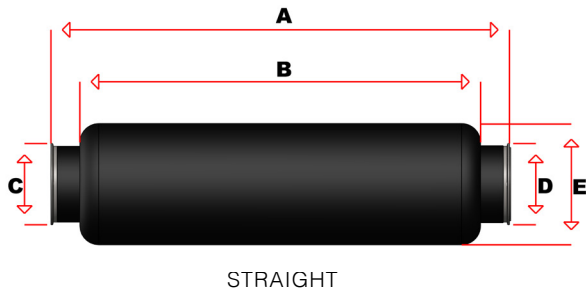


20" DIAMETER ID / OD MUFFLERS OFFSET (EXMO) OR STRAIGHT (EXMI)

PART #	A	B	C	D	E	INLET
	OVERALL	BODY	ID	OD	DIA	OFFSET
EXM020 10	59"	54"	10"	10"	20"	2" Offset
EXMI20 10	59"	54"	10"	10"	20"	Centre
EXMO20 12	59"	54"	12"	12"	20"	2" Offset
EXMI20 12	59"	54"	12"	12"	20"	Centre

Note: Inlet is ID, outlet is OD. A and B are customizable.

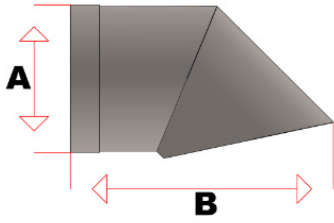
20" DIAMETER V-BAND STYLE MUFFLERS



20" DIAMETER V-BAND STYLE MUFFLERS STRAIGHT (EXMV) OR OFFSET (EXMVO)

PART #	A	B	C	D	E	INLET
	OVERALL	BODY	ID	OD	DIA	OFFSET
EXMV20 10	59"	54"	10"	10"	20"	Centre
EXMVO20 10	59"	54"	10"	10"	20"	2" Offset
EXMV20 12	59"	54"	12"	12"	20"	Centre
EXMVO20 12	59"	54"	12"	12"	20"	2" Offset

ID / OD MUFFLER DOWN SPOUTS

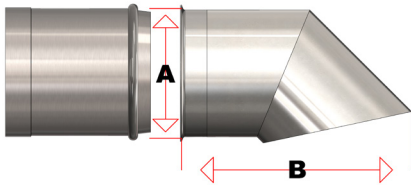


8", 10" & 12" ID / OD MUFFLER DOWN SPOUTS

PART #	A	B
EXS 8	8"	16"
EXS 10	10"	16"
EXS 12	12"	16"

V-BAND STYLE MUFFLER DOWN SPOUTS

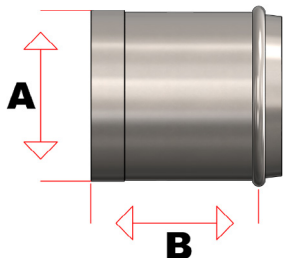
Note: This diagram shows how the V-band style mufflers and down spouts fit together.



8", 10" & 12" V-BAND STYLE MUFFLER DOWN SPOUTS

PART #	A	B
EXSV 8	8"	16"
EXSV 10	10"	16"
EXSV 12	12"	16"

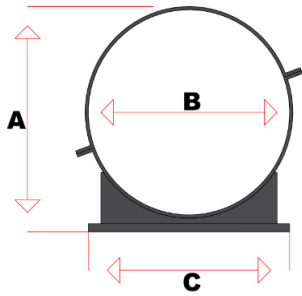
MALE V-BAND STYLE MUFFLER ADAPTORS



8", 10" & 12" V-BAND STYLE MUFFLER ADAPTORS

PART #	A	B
ADMV 8	8"	10"
ADMV 10	10"	10"
ADMV 12	12"	10"

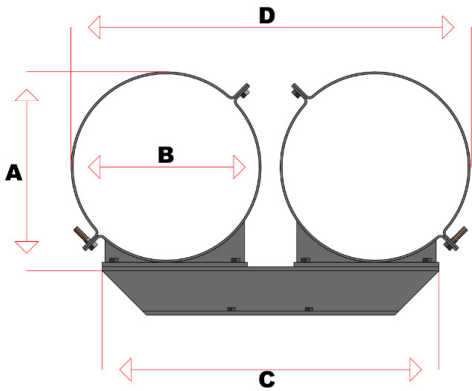
SINGLE MUFFLER MOUNTING BRACKETS



16", 18 & 20" SINGLE MUFFLER MOUNTING BRACKETS

PART #	A	B	C
MB16	17.75"	16"	14"
MB18	17.75"	18"	16"
MB20	17.75"	20"	18"

DOUBLE MUFFLER MOUNTING BRACKETS

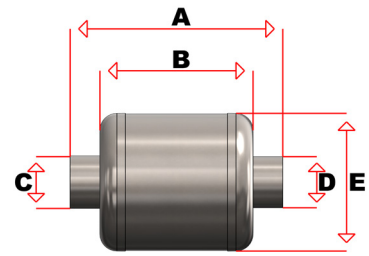


16", 18" & 20" DOUBLE MUFFLER MOUNTING BRACKETS

PART #	A	B	C	D
MBD16	17.75"	16"	32"	34"
MBD18	17.75"	18"	34"	38"
MBD20	17.75"	20"	40"	42"

BTS STYLE MUFFLERS

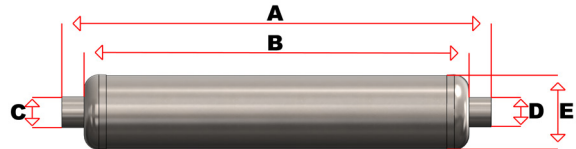
Note: Custom sizes available.



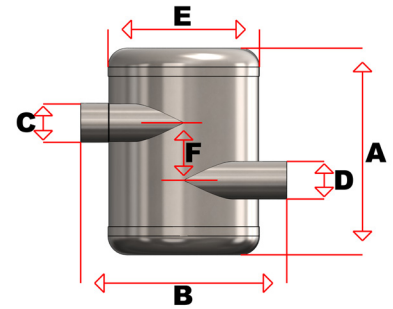
PART #	A	B	C	D	E
	OVERALL	BODY LENGTH	ID	OD	DIA
BTS 0612 15	16.5"	12"	1.5"	1.5"	6"
BTS 0812 15	17"	12"	1.5"	1.5"	8"
BTS 0812 20	17"	12"	2"	2"	8"
BTS 0812 25	17"	12"	2.5"	2.5"	8"
BTS 1213 30	19"	13"	3"	3"	12"
BTS 1213 35	19"	13"	3.5"	3.5"	12"
BTS 1213 40	19"	13"	4"	4"	12"
BTS 1416 50	25"	16"	5"	5"	14"
BTS 1616 50	25"	16"	5"	5"	16"
BTS 1418 60	25"	18"	6"	6"	14"
BTS 1618 60	25"	18"	6"	6"	16"

ANT STYLE MUFFLERS

Note: Custom sizes available.



PART #	A	B	C	D	E
	OVERALL	BODY LENGTH	ID	OD	DIA
ANT10936 30	42"	36"	3"	3"	9"
ANT11045 35	51"	45"	3.5"	3.5"	10"
ANT11045 40	51"	45"	4"	4"	10"
ANT11045 50	51"	45"	5"	5"	10"
ANT11045 60	51"	45"	6"	6"	10"
ANT11052 40	58"	52"	4"	4"	10"
ANT11245 40	51"	45"	4"	4"	12"
ANT11245 50	51"	45"	5"	5"	12"
ANT11245 60	51"	45"	6"	6"	12"
ANT11445 60	51"	45"	6"	6"	14"
ANT11452 60	58"	52"	6"	6"	14"



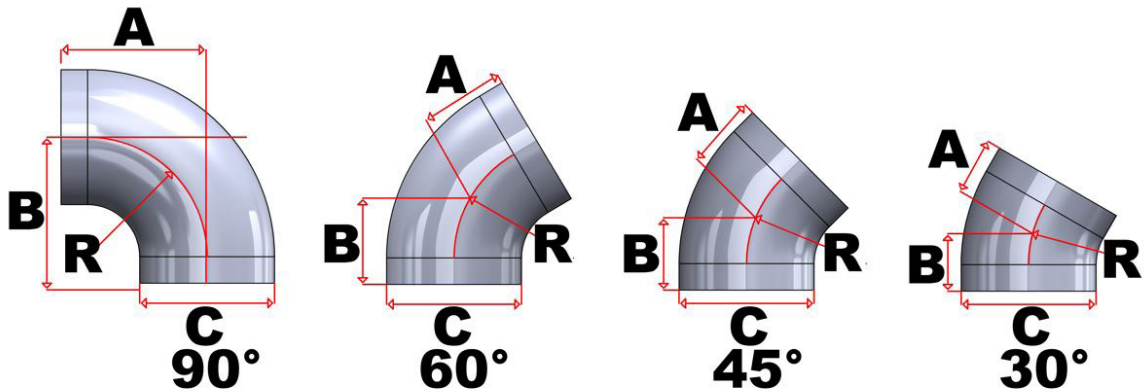
C SERIES STYLE MUFFLERS

Note: Custom sizes available.

PART #	A	B	C	D	E	F
	OVERALL	BODY LENGTH	ID	OD	DIA	IN/OUT
C10250	13.75"	14.5"	2.5"	2.5"	10"	4.125"
C10300	13.75"	16"	3"	3"	10"	4.125"
C12300	16.5"	17.5"	3"	3"	12"	4.625"
C12350	16.5"	19.5"	3.5"	3.5"	12"	4.625"
C14350	19.75"	20"	3.5"	3.5"	14"	5.125"
C14400	19.75"	21"	4"	4"	14"	5.125"
C16400	22"	22"	4"	4"	16"	6.125"
C16500	22"	23.5"	5"	5"	16"	6.125"
C18500	24.75"	24"	5"	5"	18"	7.125"
C18600	24.75"	29"	6"	6"	18"	7.125"
C20500	27.5"	27"	5"	5"	20"	7.125"
C20600	27.5"	30"	6"	6"	20"	8"
C24600	33"	33"	6"	6"	24"	9.125"
C24800	33"	36"	8"	8"	24"	9.125"

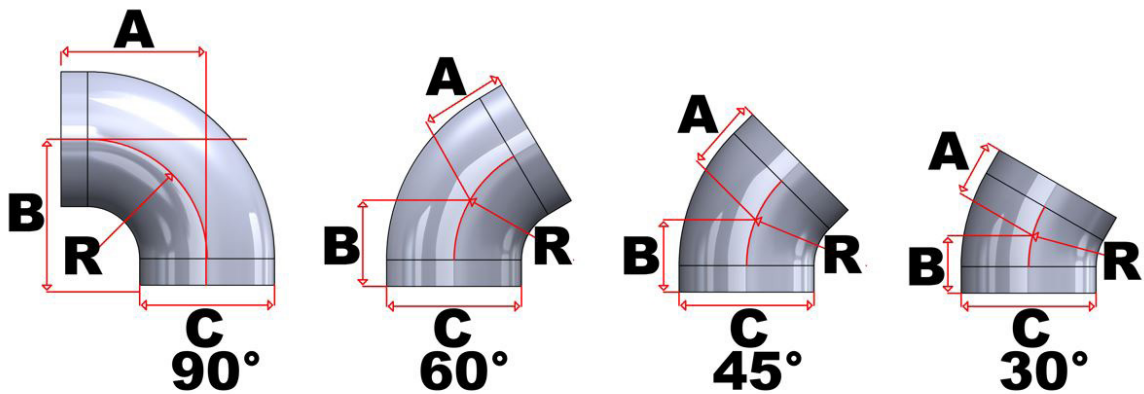
EXHAUST ACCESS- ORIES

EXHAUST ELBOWS



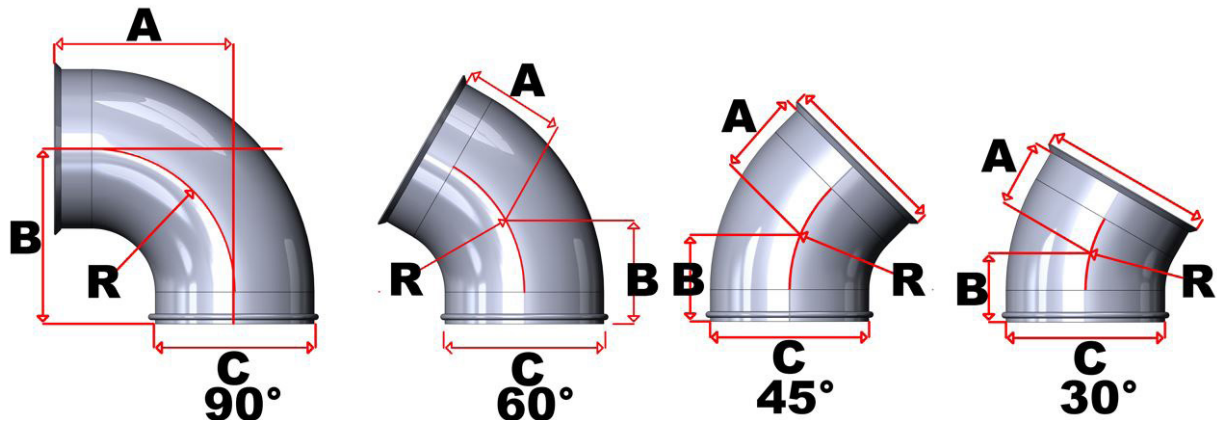
OD OD 90° 60° 45° & 30° ELBOWS

PART #	A	B	C	R
	LEG LENGTH	LEG LENGTH	DIA	RADIUS
ELX90 8	13"	13"	8"	9"
ELX90 10	13"	13"	10"	9"
ELX90 12	13"	13"	12"	9"
ELX60 8	9.25"	9.25"	8"	9"
ELX60 10	9.25"	9.25"	10"	9"
ELX60 12	9.25"	9.25"	12"	9"
ELX45 8	7.75"	7.75"	8"	9"
ELX45 10	7.75"	7.75"	10"	9"
ELX45 12	7.75"	7.75"	12"	9"
ELX30 8	6.5"	6.5"	8"	9"
ELX30 10	6.5"	6.5"	10"	9"
ELX30 12	6.5"	6.5"	12"	9"



ID OD 90° 60° 45° & 30° ELBOWS

PART #	A	B	C	R
	LEG LENGTH	LEG LENGTH	DIA	RADIUS
ELXI90 8	13"	13"	8"	9"
ELXI90 10	13"	13"	10"	9"
ELXI90 12	13"	13"	12"	9"
ELXI60 8	9.25"	9.25"	8"	9"
ELXI60 10	9.25"	9.25"	10"	9"
ELXI60 12	9.25"	9.25"	12"	9"
ELXI45 8	7.75"	7.75"	8"	9"
ELXI45 10	7.75"	7.75"	10"	9"
ELXI45 12	7.75"	7.75"	12"	9"
ELXI30 8	6.5"	6.5"	8"	9"
ELXI30 10	6.5"	6.5"	10"	9"
ELXI30 12	6.5"	6.5"	12"	9"



V-BAND 90° 60° 45° & 30° ELBOWS

PART #	A	B	C	R
	LEG LENGTH	LEG LENGTH	DIA	RADIUS
ELXV90 8	10"	10"	8"	9"
ELXV90 10	10"	10"	10"	9"
ELXV90 12	10"	10"	12"	9"
ELXV60 8	6.25"	6.25"	8"	9"
ELXV60 10	6.25"	6.25"	10"	9"
ELXV60 12	6.25"	6.25"	12"	9"
ELXV45 8	4.75"	4.75"	8"	9"
ELXV45 10	4.75"	4.75"	10"	9"
ELXV45 12	4.75"	4.75"	12"	9"
ELXV30 8	3.5"	3.5"	8"	9"
ELXV30 10	3.5"	3.5"	10"	9"
ELXV30 12	3.5"	3.5"	12"	9"

ALUMINIZED EXHAUST REDUCERS / ADAPTORS

CUSTOM SIZES AVAILABLE

**STYLE 1
USE CLAMP**



PART #	ID	ID
4030RD1	4"	3"
5040RD1	5"	4"
6050RD1	6"	5"
7060RD1	7"	6"
8070RD1	8"	7"
1080RD1	10"	8"
1210RD1	12"	10"

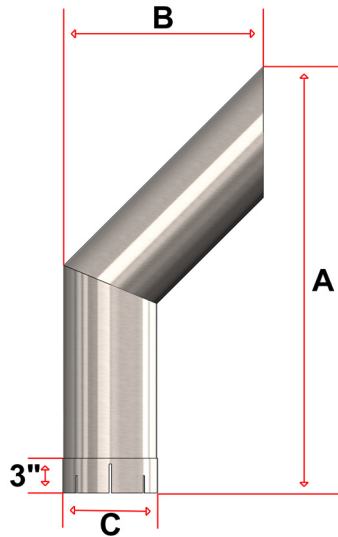
**STYLE 2
WELD ON**



PART #	ID	OD
4030RD2	4"	3"
5040RD2	5"	4"
6050RD2	6"	5"
7060RD2	7"	6"
8070RD2	8"	7"
1080RD2	10"	8"
1210RD2	12"	10"

ALUMINIZED EXHAUST STACKS

CUSTOM STACKS AVAILABLE



2"

PART #	A	B	C
	HEIGHT	WIDTH	ID
SK21410	14"	10"	2"
SK21810	18"	10"	2"
SK22410	24"	10"	2"
SK23010	30"	10"	2"
SK23610	36"	10"	2"
SK24210	42"	10"	2"
SK24810	48"	10"	2"

2.5"

PART #	A	B	C
	HEIGHT	WIDTH	ID
SK251410	14"	10"	2.5"
SK251810	18"	10"	2.5"
SK252410	24"	10"	2.5"
SK253010	30"	10"	2.5"
SK253610	36"	10"	2.5"
SK254210	42"	10"	2.5"
SK254810	48"	10"	2.5"

3"

PART #	A	B	C
	HEIGHT	WIDTH	ID
SK31410	14"	10"	3"
SK31610	16"	10"	3"
SK31810	18"	10"	3"
SK32410	24"	10"	3"
SK33010	30"	10"	3"
SK33610	36"	10"	3"
SK34210	42"	10"	3"
SK34810	48"	10"	3"

3.5"

PART #	A	B	C
	HEIGHT	WIDTH	ID
SK351410	14"	10"	3.5"
SK351610	16"	10"	3.5"
SK351810	18"	10"	3.5"
SK352410	24"	10"	3.5"
SK353010	30"	10"	3.5"
SK353610	36"	10"	3.5"
SK354210	42"	10"	3.5"
SK354810	48"	10"	3.5"

4"

PART #	A	B	C
	HEIGHT	WIDTH	ID
SK41610	16"	10"	4"
SK42010	20"	10"	4"
SK42410	24"	10"	4"
SK43010	30"	10"	4"
SK43610	36"	10"	4"
SK44210	42"	10"	4"
SK44810	48"	10"	4"

5"

PART #	A	B	C
	HEIGHT	WIDTH	ID
SK51810	18"	10"	5"
SK52410	24"	10"	5"
SK53010	30"	10"	5"
SK53610	36"	10"	5"
SK54210	42"	10"	5"
SK54810	48"	10"	5"

6"

PART #	A	B	C
	HEIGHT	WIDTH	ID
SK61811	18"	11.5"	6"
SK62411	24"	11.5"	6"
SK63011	30"	11.5"	6"
SK63611	36"	11.5"	6"
SK64211	42"	11.5"	6"
SK64811	48"	11.5"	6"

7"

PART #	A	B	C
	HEIGHT	WIDTH	ID
SK72214	22"	14"	7"
SK72614	26"	14"	7"
SK73014	30"	14"	7"
SK73614	36"	14"	7"
SK74214	42"	14"	7"
SK74814	48"	14"	7"

8"

PART #	A	B	C
	HEIGHT	WIDTH	ID
SK82516	25"	16"	8"
SK83016	30"	16"	8"
SK83616	36"	16"	8"
SK84216	42"	16"	8"
SK48416	48"	16"	8"

10"

PART #	A	B	C
	HEIGHT	WIDTH	ID
SK102822	28"	22"	10"
SK103622	36"	22"	10"
SK104222	42"	22"	10"
SK104822	48"	22"	10"

12"

PART #	A	B	C
	HEIGHT	WIDTH	ID
SK123226	32"	26"	12"
SK123626	36"	26"	12"
SK124226	42"	26"	12"
SK124826	48"	26"	12"

ALUMINIZED EXHAUST TUBING



PART #	OD	WALL THICKNESS
EXT300	3"	0.083"
EXT350	3.5"	0.083"
EXT400	4"	0.083"
EXT500	5"	0.083"
EXT600	6"	0.083"
EXT700	7"	0.083"
EXT800	8"	0.083"
EXT1000	10"	0.083"
EXT1200	12"	0.083"

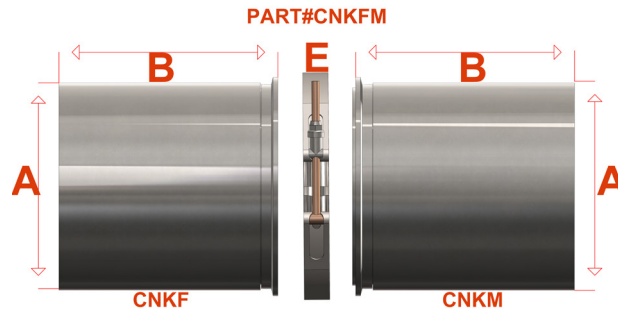
Note: Pipe from 3" OD to 7" OD comes in lengths of up to 10 ft. Pipe from 8" OD to 12" OD comes in lengths of up to 20 ft.

STAINLESS STEEL EXHAUST TUBING

PART #	OD	WALL THICKNESS
EXT800SS	8"	0.109"
EXT1000SS	10"	0.109"
EXT1200SS	12"	0.109"

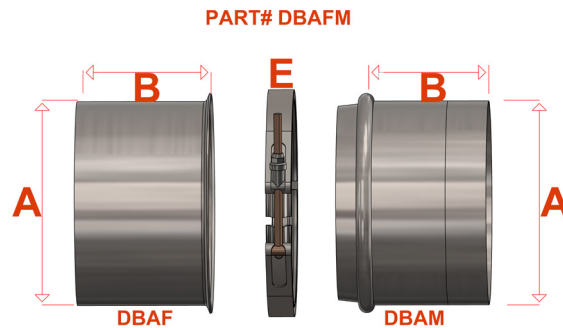
V-BAND CONNECTOR KITS

MACHINE FLANGE



PART #	A	B	PART #	A	B	E	PART #
	OD	LENGTH		OD	LENGTH		
CNKF10	10"	5"	CNKM10	10"	5"	VB100	CNKFM10
CNKF12	12"	5"	CNKM12	12"	5"	VB120	CNKFM12

RIDGED & FLARED

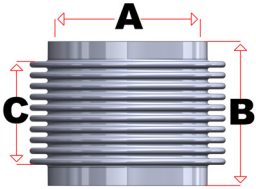


PART #	A	B	PART #	A	B	E	PART #
	OD	LENGTH		OD	LENGTH		
DBAF35	3.5"	5"	DBAM35	3.5"	5"	VB35	DBAFM35
DBAF40	4"	5"	DBAM40	4"	5"	VB40	DBAFM40
DBAF50	5"	5"	DBAM50	5"	5"	VB50	DBAFM50
DBAF60	6"	5"	DBAM60	6"	5"	VB60	DBAFM60
DBAF80	8"	5"	DBAM80	8"	5"	VB80	DBAFM80
DBAF10	10"	5"	DBAM10	10"	5"	VB100	DBAFM10
DBAF12	12"	5"	DBAM12	12"	5"	VB120	DBAFM12

BELLOWS

STAINLESS STEEL MULTI-PLY EXPANSION JOINT

CUSTOM BELLOWS AVAILABLE



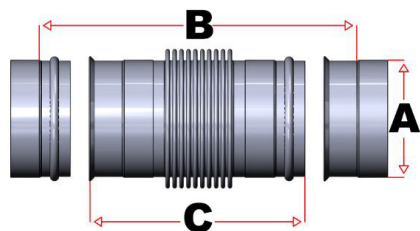
PART #	A	B	C-SHORT	MULTI
	ID	LENGTH	LIVE LENGTH	PLY
BC-3S	3"	5"	3"	2 Ply
BC-3.5S	3.5"	5"	3"	2 Ply
BC-4S	4"	5"	3"	2 Ply
BC-4.5S	4.5"	5"	3"	2 Ply
BC-5S	5"	5"	3"	2 Ply
BC-6S	6"	5"	3"	2 Ply
BC-8	8"	8"	6"	2 Ply
BC-10	10"	8"	6"	2 Ply
BC-12	12"	8"	6"	5 Ply

PART #	A	B	C-LONG	MULTI
	ID	LENGTH	LIVE LENGTH	PLY
BC-3L	3"	11"	9"	2 Ply
BC-3.5L	3.5"	11"	9"	2 Ply
BC-4L	4"	11"	9"	2 Ply
BC-4.5L	4.5"	11"	9"	2 Ply
BC-5L	5"	11"	9"	2 Ply
BC-6L	6"	11"	9"	2 Ply

Note: Our stainless steel bellows are formed in series to absorb thermal movement and vibration in piping systems that transport high-temperature exhaust gases or steam.

BELLOWS CONNECTOR KIT

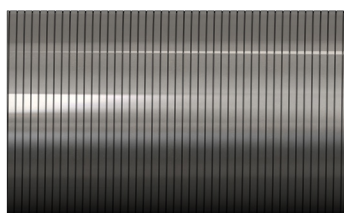
CUSTOM BELLOWS AVAILABLE



PART #	A	B	C
	ID	LENGTH	BELLOWS
2015083 3	3"	11"	7"
2015083 35	3.5"	11"	7"
2015083 4	4"	11"	7"
2015083 5	5"	11"	7"
2015083 6	6"	11"	7"
2015083 8	8"	14"	10"
2015083 10	10"	14"	10"
2015083 12	12"	14"	10"

Note: Kit includes bellows, male and female connectors, and two V-band clamps.

STAINLESS STEEL FLEX PIPE



PART #	ID	WALL THICKNESS
FLX300	3"	0.024"
FLX350	3.5"	0.024"
FLX400	4"	0.024"
FLX450	4.5"	0.024"
FLX500	5"	0.024"
FLX600	6"	0.024"
FLX800	8"	0.024"
FLX1000	10"	0.024"
FLX1200	12"	0.024"

CLAMPS

AIR INTAKE CLAMPS

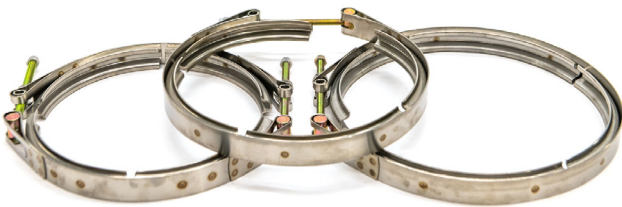
Heavy-duty clamps for rubber connectors and high-pressure applications.



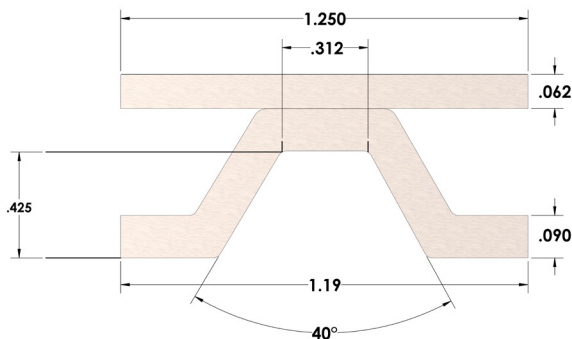
PART #	DESCRIPTION				
130 140	Fits	5"	5.11"	To	5.51"
150 162	Fits	5.5"	5.90"	To	6.37"
162 174	Fits	6"	6.37"	To	6.85"
187 200	Fits	7"	7.36"	To	7.87"
213 226	Fits	8"	8.38"	To	8.89"
226 239	Fits	9"	8.89"	To	9.40"
262 275	Fits	10"	10.31"	To	10.82"
317 330	Fits	12"	12.48"	To	12.99"

STAINLESS STEEL V-BAND EXHAUST CLAMPS

Durable clamps that can be installed quickly and easily.



PART #	CLAMP SIZE
VB6	6"
VB7	7"
VB8	8"
VB10	10"
VB12	12"



BOLT SIZE 3/8

STAINLESS STEEL FLAT BAND (LAP / BUTT) CLAMPS



PART #	DESCRIPTION
FBC200	2" SS Flat Band Clamp
FBC225	2.25" SS Flat Band Clamp
FBC250	2.5" SS Flat Band Clamp
FBC300	3" SS Flat Band Clamp
FBC325	3.25" SS Flat Band Clamp
FBC400	4" SS Flat Band Clamp
FBC425	4.25" SS Flat Band Clamp
FBC500	5" SS Flat Band Clamp
FBC600	6" SS Flat Band Clamp
FBC800	8" SS Flat Band Clamp
FBC1000	10" SS Flat Band Clamp

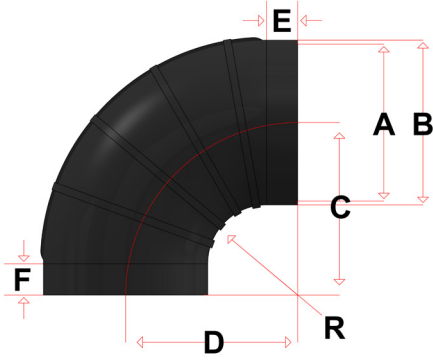
HD U-BOLT CLAMPS



PART #	DESCRIPTION
90929K	2" HD U-Bolt Clamp
90915K	2.25" HD U-Bolt Clamp
89556K	3" HD U-Bolt Clamp
89557K	3.25" HD U-Bolt Clamp
89558K	4" HD U-Bolt Clamp
89559K	5" HD U-Bolt Clamp
89560K	6" HD U-Bolt Clamp

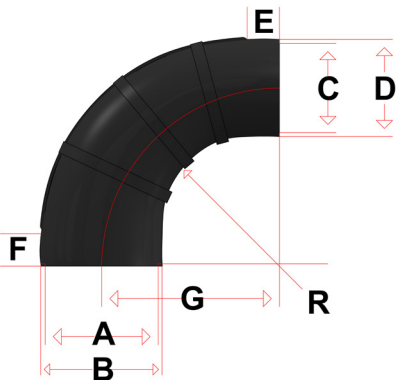
RUBBER HUMP HOSE & ELBOWS

90° RUBBER ELBOWS



PART #	A-ID	B-OD	C	D	E	F	R
RL590	5"	5.5"	6.125"	6.125"	1.75"	1.625"	1.75"
RL690	6"	6.5"	7"	7"	3.5"	4.5"	1.75"
90HL6X	6"	6.5"	8.25"	8.25"	3.25"	3.25"	5"
HL906EC	6"	6.5"	9"	10"	2.25"	2"	1.75"
RL890	8"	8.75"	8.5"	8.5"	2"	2.25"	2.125"
RL1090	10"	10.75"	10.5"	10.5"	2.25"	2.25"	3.125"

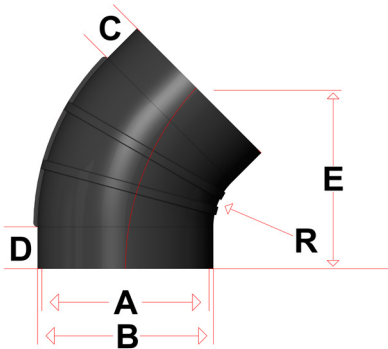
90° REDUCING ELBOWS



PART #	A-ID	B-OD	C-ID	D-OD
RL75590	7"	7.5"	5.5"	6"

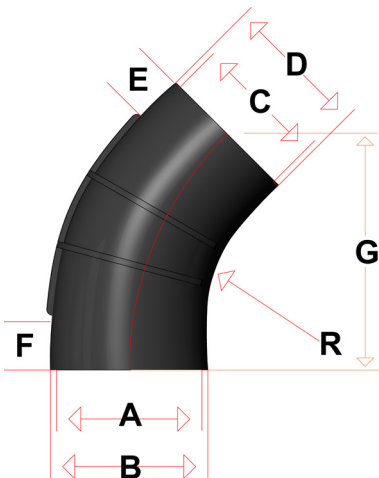
E	F	G	R
1.5"	1.5"	6.5"	0.625"

45° RUBBER ELBOWS



PART #	A-ID	B-OD	C	D	E	R
RL545	5"	5.5"	1.625"	1.625"	5.25"	1.75"
RL645	6"	6.5"	2"	2"	6.5"	1.75"
RL845	8"	8.75"	2.25"	2.25"	8.25"	2.125"
RL1045	10"	10.75"	2.25"	2.25"	10.25"	3.125"

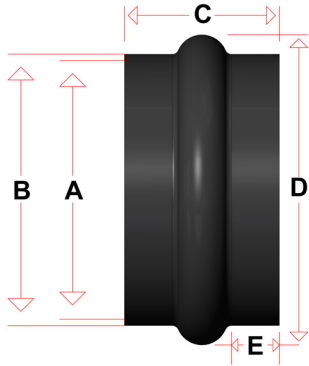
45° REDUCING ELBOWS



PART #	A-ID	B-OD	C-ID	D-OD
RL65545	6"	5.5"	5.5"	6"

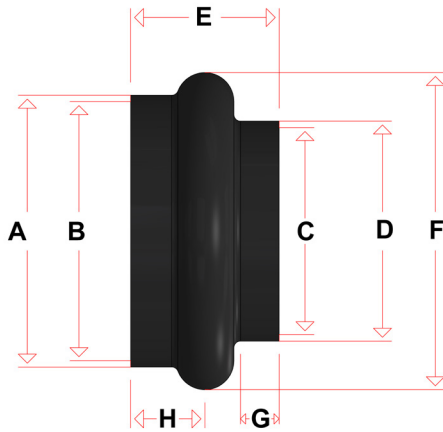
E	F	G	R
1.75"	1.75"	6.5"	4.875"

STANDARD HUMP HOSE



PART #	A-ID	B-OD	C	D	E
HH5	5"	5.5"	6"	6.125"	2.25"
HH6	6"	6.5"	7"	6.5"	2.75"
HH8	8"	8.5"	5"	9.5"	1.5"
HH10	10"	10.5"	6"	11.5"	2"
HH12	12"	12.5"	7.5"	13.75"	3"

REDUCING HUMP HOSE



PART #	A-ID	B-OD	C-ID	D-OD
HHR65	6.5"	6"	5"	5.5"
HHR76	7.5"	7"	6"	6.5"
HHR108	10.5"	10"	8"	8.5"
HH1210	12.5"	12"	10"	10.5"
HH1412	14.5"	14"	12"	12.5"

E	F	G	H
6"	7.5"	2.125"	3"
6"	8.5"	1.75"	3"
6"	11.5"	2"	3"
7.5"	13.5"	2.75"	3"
7.5"	15.25"	3"	3"

MISC.

POLYETHYLENE WHEEL MOTOR COVERS

DBA'S polyethylene covers are strong, flexible, durable, and lightweight. They protect wheel motors from damage, thus reducing both repair costs and downtime.



PART #	A	B	C	D
788-BL	38.5"	19"	8.75"	15.25"
510-BL	31.25"	16"	4.625"	10"

GASKET MATERIAL

Our synthetic fibre nitrile binder gasket material is primarily used between flanges.

PART #	DESCRIPTION
GSKM	Custom Pieces By The Square Foot



ADDRESS

4917 Burde St.
Port Alberni, BC V9Y 3J5
Canada

PHONE

Toll Free: 1-800-661-5886
Phone: 250-723-2288
Fax: 250-723-9251

EMAIL

info@dbasilencing.ca